



**PRO
LUX**



LED PROFILE ZOOM 200



Please keep reading this manual carefully for further use!

USER MANUAL

TABLE OF CONTENTS

INTRODUCTION.....	3
DESCRIPTION OF THE DEVICE	3
1. Profile	3
2. Overview	4
3. Specification data.....	4
4. Photographic chart.....	5
5. Safety warning	5
INSTALLATION.....	7
1. Installing.....	7
2. DMX 512 connection.....	8
3. Connection with mains	9
4. The use of color frame.....	10
5. The use of gobo frame	10
6. Use iris.....	11
7. Replacing fuse	11
8. Focus and Zoom.....	11
9. Dimmer	12
OPERATION.....	13
1. Description of the keys	13
2. Menu	13
3. Basic setting.....	13
4. DMX protocol.....	14
APPENDIX.....	15
Problem and solution	15

INTRODUCTION

Thank you for having chosen a LED zooming and imaging spot 200, You will see you have acquired a powerful and versatile device.

Unpack your led LED zooming and imaging spot 200

Delivery Includes

- Gobo Frame1PC
- Color Frame.....1PC
- DMX Cable.....1PC
- Power Wire.....1PC
- User Manual1PC

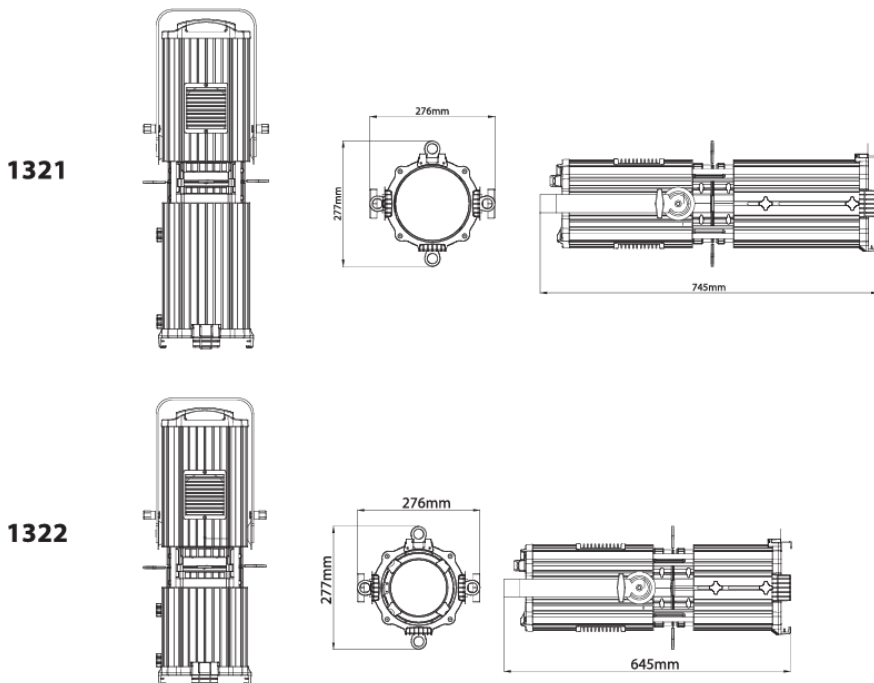
DESCRIPTION OF THE DEVICE

1. PROFILE

With the concept of energy saving and environmental protection, the device uses low power consumption and extremely high-efficiency LEDs. The device housing cover is made of new high-strength, heat-resistant engineering plastics, featuring a beautiful shape and smooth lines. The design and manufacturing comply with the IEC standard. The device is suitable for large-scale theatrical performances, theaters, performance halls, bars, night clubs, and so on.

The product fully conforms to the international standard DMX512 protocol; the device can be controlled individually or in multiple units.

2. OVERVIEW



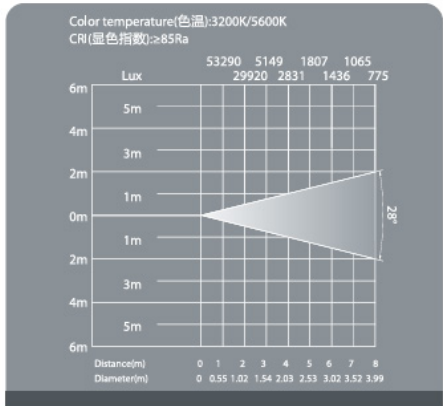
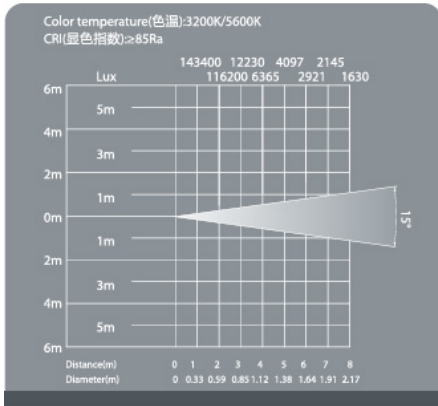
3. SPECIFICATION

- Power Supply: AC100V-240V, 50/60Hz
- Power Consumption: 250W
- LEDs: COB, 200W, White
- Color Temperature: 3200K/5600K
- Luminous flux: 17000lm/18000lm
- CRI: ≥ 85 Ra
- LED life: $> 50,000$ H
- Dimmer: 0-100% Dimmer Intensity
- Adjustable Beam angle: 15°-28°(1321) / 20°-45° (1322)
- Strobe: 1-20 Flash per second
- Cooling system: heat pipe with no noise fan
- Display: LCD screen display
- The signal input and output: XLR 3Pin and XLR 5Pin
- Control mode: the international standard DMX512 signal

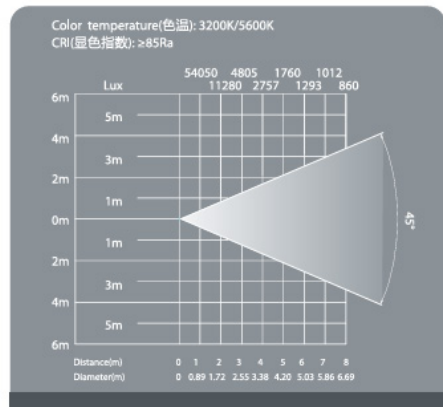
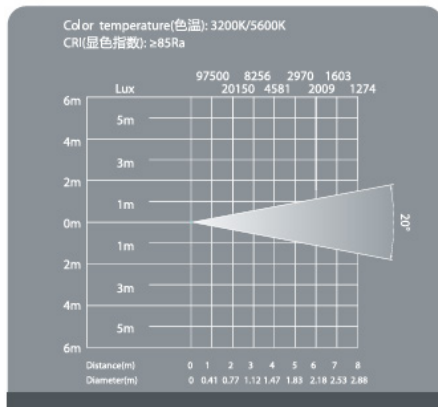
- Channel mode: 1 channels or 2 channels
- Protection grade: IP20
- Use environment temperature: -20°C-45°C
- N.W. / G.W.: 10.2kgs / 12.5kgs (for model 1321)
- N.W. / G.W.:9.2kgs / 11kgs (for model 1322)
- Dimensions (LxWxH): 800x305x310mm

4. PHOTOGRAPHIC CHART

1321



1322



5. SAFETY WARNING

Warning:

- Every person involved with the installation, operation, and maintenance of this device has to

be qualified.

- User must follow the instructions of this manual
- Unqualified persons cannot open the housing cover and operate the device, or the dealer will not accept liability for any resulting defects or problems.
- Protect the device against rain and moisture.

Warning notes:

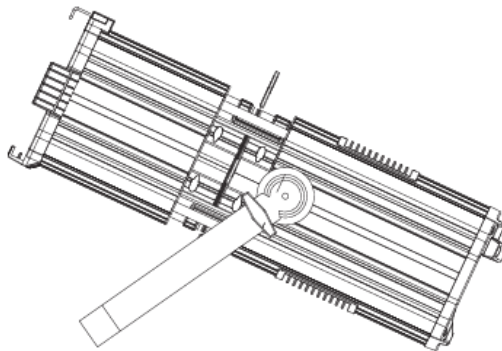
- Power supply: AC100V-240V, 50Hz/60Hz.
- Make sure the power switch is off, the power plug, outlet, and the earth connection are in well condition before connecting the device with the mains.
- Please use a qualified power plug and outlet. Never connect the power cord of this device with other electrical equipment.
- During movement and installation, make sure the device does not collide with metal parts and other tough materials.
- Always disconnect from the mains when the device is being installed and dismantled.
- The minimum distance between light output and the illuminated surface must be more than 50cm.
- The device must only be installed on a non-flammable surface. In order to safeguard sufficient ventilation, leave 50 cm of free space around the device. Please note that heat-sensitive objects may be deformed or damaged by the emitted heat.
- During operation, the housing becomes very hot! Do not operate the device for 15 minutes after switching off.
- The maximum ambient temperature $T_a = 45^{\circ}\text{C}$ must never be exceeded. The maximum housing temperature $T_b = 80^{\circ}\text{C}$ must never be exceeded.
- For indoor use only.
- Replace any visible cracked protective shield, filters, and lens.
- The protective shield, filters, and lens will require

weekly cleaning as smoke fluid tends to build up residues, reducing the light output very quickly.

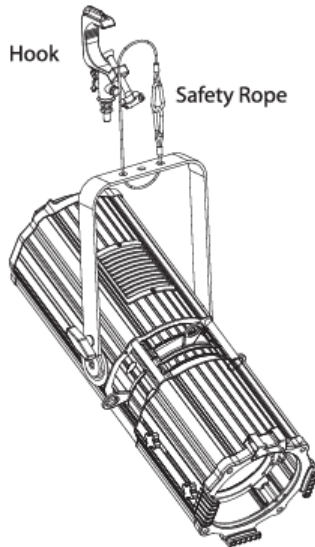
INSTALLATION

1. INSTALLATION

- During installation, keep the device far away from heat-sensitive objects and explosives. Leave at least 50cm of free space around the device.
- When placing the device on a horizontal surface, it must be placed directly on the surface, and the device must be secured with a mounting holder.



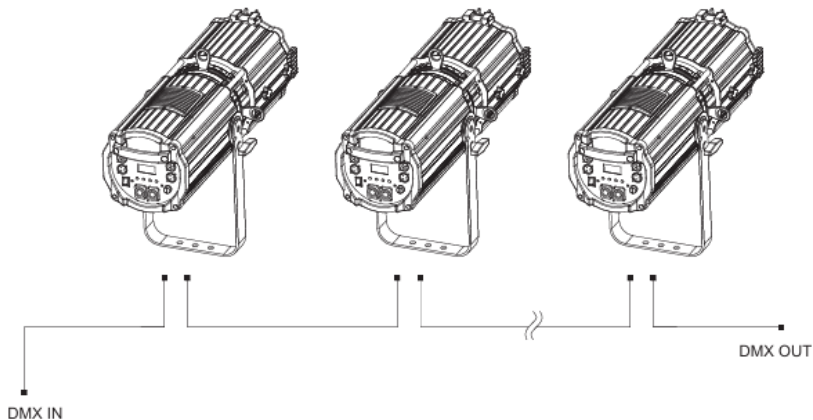
- When rigging the devices on the truss with the head facing the floor: Insert the quick-lock fasteners of the first mounting holder into the respective holes on the bottom of the device. Tighten the quick-lock fasteners fully clockwise. Install the second mounting holder. The safety rope must be used at the same time.



- Please use a qualified safety rope, which can hold at least 10 times the weight of the fixture. You must only use safety ropes with quick links with screw caps. Pull the safety rope through the hole on the bottom of the base and over the trussing system, etc. Insert the end into the quick link and tighten the fixation screw. A safety rope which has already sustained the strain of a crash or which is defective must not be used again.

2. DMX512 CONNECTION

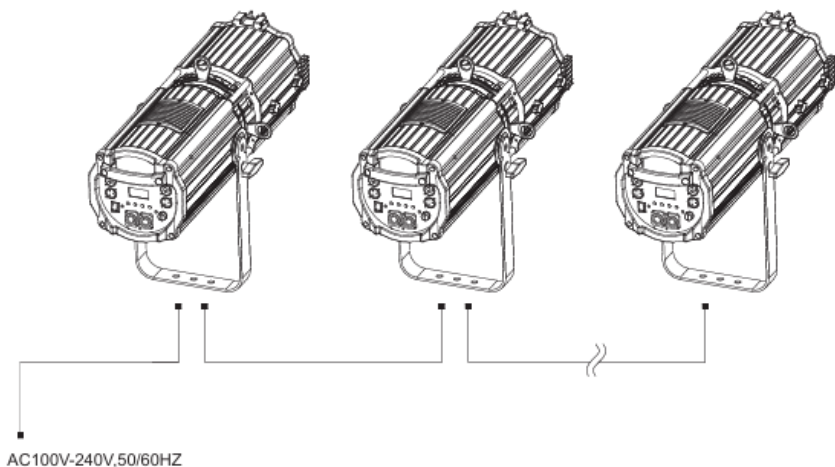
- Please use XLR-XLR cables to connect the DMX output of the controller with the DMX input of the first device, and connect the DMX output of the first device with the DMX input of the second device. Always connect one output with the input of the next device until all devices are connected.



- please use qualified XLR-XLR DMX cables

3. CONNECTION WITH MAINS

- The person involved with the power connection must be qualified and hold an electrical engineering certificate.
- Connect the device to the mains with the power plug.
- The earth must be connected.
- Power consumption: 250W; Input power supply: AC100V-240V, 50/60Hz.



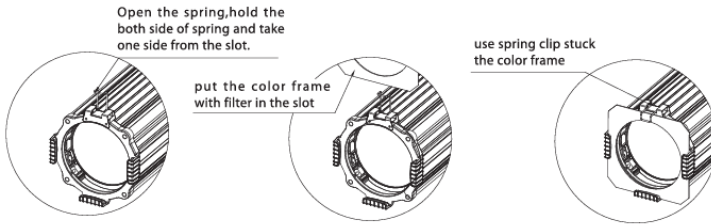
IMPORTANT NOTE:

The specification of the power line is 3G1.5 with a maximum current of 13A.

- When the power is 200V-240V, use the grey plug for power interconnection on the device; do not exceed 10 sets of equipment per group.
- When the power is 100V-120V, do not exceed 5 sets of equipment per interconnection.

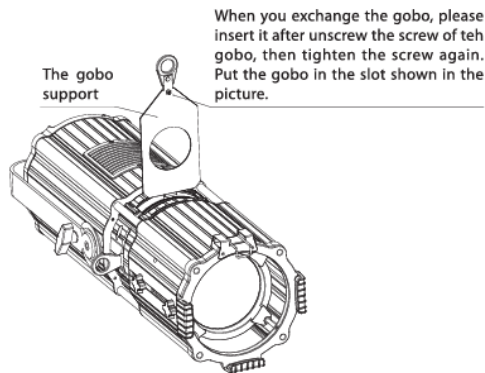
4. THE USE OF COLOR FRAME

- Take out the color frame, loosen the screws, insert the color filter, and tighten the screws again.
- Insert the color frame into the slot.



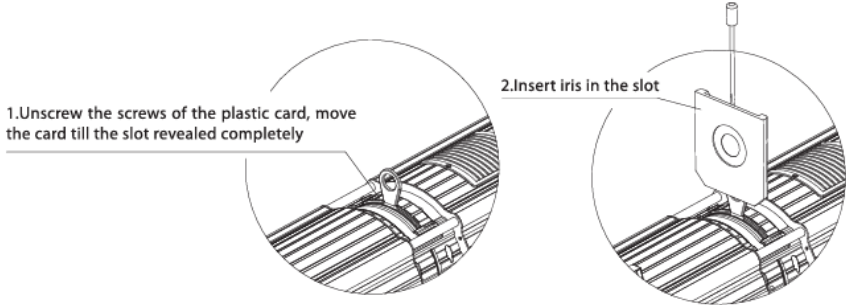
5. THE USE OF GOBO FRAME

- Take out the gobo frame, loosen the screws, insert the gobo, and tighten the screws again.
- Insert the gobo frame into the slot.



6. USE IRIS

- The iris is not included when the projector leaves the factory; the user can purchase the iris if needed.
- Loosen the screws and insert the iris.



7. REPLACING FUSE

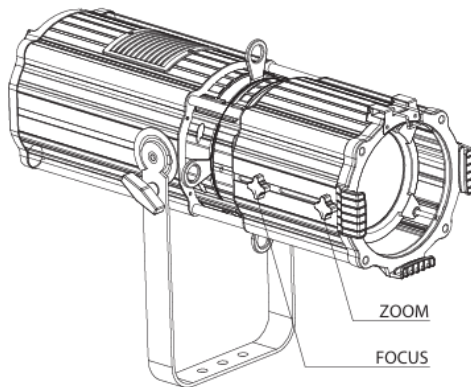
Before replacing the fuse, unplug the mains lead.

Procedure:

- Step 1: Unscrew the fuse holder on the rear panel with a suitable screwdriver (counter-clockwise).
- Step 2: Remove the old fuse from the fuse holder.
- Step 3: Install the new fuse into the fuse holder.
- Step 4: Place the fuse holder back into the housing and secure it.

8. FOCUS AND ZOOM

- After switching on the device and the lamp, loosen the two focus and zoom screws. Move the screws to achieve the best spot image, then retighten the two screws.
- When the projection distance changes, the user should follow the previous steps to refocus the projector.



9. DIMMER

- This equipment features 0-100% linear dimming, which can be adjusted via a DMX512 signal. In the absence of a DMX signal, it can be adjusted through the device menu «ManDim».
- Note: The DMX512 signal has priority. When a signal is input, manual dimming is disabled. To enable manual control, you must disconnect the DMX input.

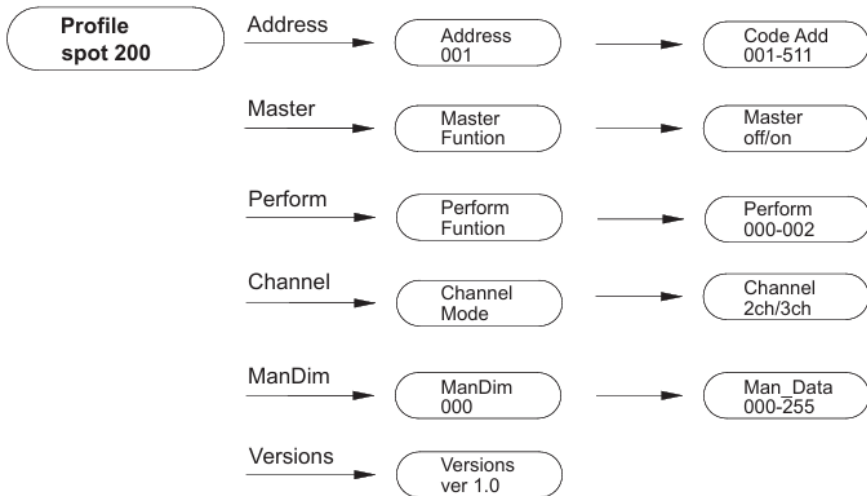
OPERATION

1. DESCRIPTION OF THE KEYS

- ESC;
- ENTER;
- DOWN;
- UP.



2. MENU



Important notice:

This equipment is dimming DMX512 signal priority, when the input signal, the "ManDim" is invalid; as in the menu by light, please cut off the input DMX512 signal!

3. BASIC SETTING

- When turned on, the device shows [Profile spot 200], then press the [ENTER] key to enter the menu settings.
- [Address 001] is the default setting. Press the [ENTER] key to enter and select [Code Add 001]. Use the [Up] and [Down] keys to select the required address [001 - 511] and press to confirm

or to cancel and return to the main menu. Press the [ESC] key to return and confirm.

- Press the [UP] key to select [Master Function], press the [ENTER] key to enter into [Master off/on]. Use the [Up] and [Down] keys to select [Master off] or [Master on], then press [ESC] to return and confirm.
- Press the [UP] key to select [Perform Function], press the [ENTER] key to enter and use the [Up] and [Down] keys to select [Perform 000-002], then press [ESC] to return and confirm.
- Press the [UP] key to select [Channel Mode], press the [ENTER] key to enter and use the [Up] or [DOWN] key to select [Channel 1ch/2ch], then press [ESC] to return and confirm.
- Press the [UP] key to select [ManDim 000], press the [ENTER] key to enter and use the [Up] or [DOWN] key to select [Man_Data 000-255], then press [ESC] to return and confirm.

4. DMX PROTOCOL

CHANNEL		NUMERIC	EFFECT
1	1	0-255	Dimmer intensity 0-100%
	2	0-025	Open
		026-225	Strobe, the speed from slow to quick
		226-255	Open

APPENDIX

PROBLEM AND SOLUTION

Problem	Reason	Resolution
Device not work	No power	AC100V-240V, 50Hz/60Hz - Check the power connection and make sure the device is connected to the mains in good condition. - Check if the switch is on. - Check if the fuse is intact.
Led bulb is off	Led bulb damaged	Replacing led bulb
	Led driver board damaged	Replacing led driver board
	Temperature switch damaged	Replacing temperature switch
Fans not work	Fans damaged	Replacing fans

CAUTION:

- The involvement of unqualified persons in the installation, operation, and maintenance of this device is prohibited.
- If any of the above-mentioned problems occur, or if an unknown problem arises, please contact the manufacturer or distributor for assistance.

