



**PRO  
LUX**



## **LED 760 XIP**

Please keep read this manual carefully for further use!

**USER MANUAL**

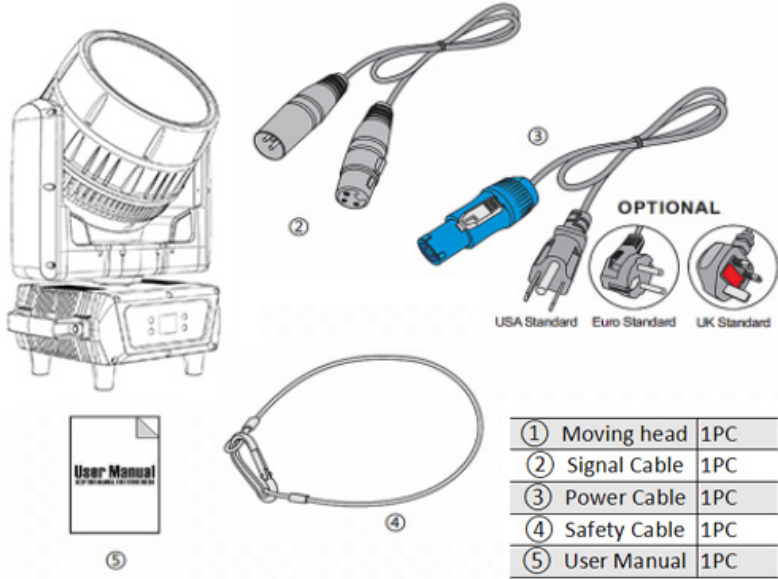
# 1.UNPACKING

Thank you for choosing our waterproof 7\*60W bee eye moving head light. For proper and safe use, please read the instructions carefully before installing and using this product. This specification contains important installation and application information. Please strictly follow the operation procedures when installing and operating the product. At the same time, please keep this instruction manual properly.

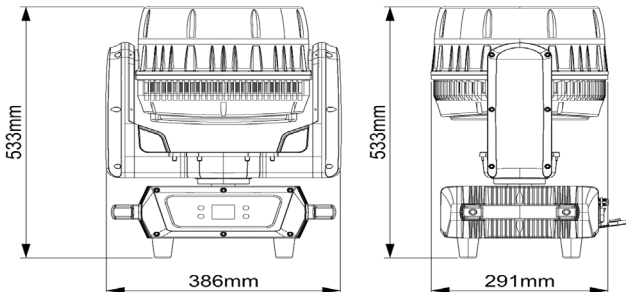
Our waterproof 7\*60W bee eye moving head wash beam light uses a new beautiful high temperature resistant engineering plastic housing and high hardness metal body. This product strictly follows the CE standard for design and production, in line with the international standard DMX512 signal protocol, can be used separately for control, can also be used online, with fast rotation, low noise, powerful features, suitable for large and medium-sized concerts, theaters, studios, nightclubs and bars and other places, This product uses high brightness and stable 7pcs 60W 4in1 LEDs.

Please remove the package carefully, check whether the product is damaged during transportation, and check whether the following contents are complete.

- Moving Head.....1
- Power Cable .....1
- Safety Cable.....1
- Signal Cable .....1
- User Manual.....1



## 2. PRODUCT DIMENSIONS, MM



### 3. SAFETY INSTRUCTIONS



**CAUTION!**

Be careful with your operations. With a dangerous voltage you can suffer a dangerous electric shock when touching wires!

This device has left the factory in perfect condition. In order to maintain this condition and to ensure a safe operation, it is absolutely necessary for the user to follow the safety instructions and warning notes written in this user manual.



**Important:**

*Damages caused by the disregard of this user manual are not subject to warranty. The dealer will not accept liability for any resulting defects or problems.*

If the product has been exposed to extreme unstable temperature conditions (e. g., after transportation), do not supply the product immediately because water drops due to temperature changes may damage the product. Please use the product only after it has returned to normal temperature.

This product can be used in the voltage range of 100-240V, and is used for outdoor products. Please ensure that the ground voltage is not higher than the tolerable range of the product!! The power plug must be plugged into a protective class I socket. Green or teal/cyan conductors must be grounded.

Please check the product-level power cord frequently. Ensure that the power cord is not bent, damaged, or improperly connected to

other wires! Special attention is required when connecting the power cord or the related wiring. Unplug the power supply without using the product or before cleaning.

Before using the product, please be familiar with the operation function of the product. Keep the product away from children and unqualified personnel.

Please do not shake this product. Do not use brute force when installing or operating the product. Do not allow unprofessionals to operate the product. Most damage is caused by unprofessional operation.

The product is not equipped with relevant repair accessories. Product maintenance and repair can only be carried out by professionals!

Please do not change this product without authorization, otherwise the product may be damaged, so the damage caused is not covered by the warranty. Also, unprofessional operations can lead to short circuits, burns or electric shocks, and so on.

## **4. OPERATION INSTRUCTIONS**

**(DO NOT LET STRONG LIGHT DIRECT SHOOT ONTO THE LENS !!!)**

- The fixture is for beam wash and effect use.
- Don't turn on the fixture if it's been through severe temperature difference like after transportation because it might damage the light due to the environment changes. So make sure to operate the fixture until it is in normal temperature.
- This light should be kept away from strong shaking during any transportation or movement.
- Don't pull up the light by only the head, or it might cause damages to the mechanical parts.
- Don't expose the fixture in overheat, moisture or environment with too much dust when installing it. And don't lay any power cables on the floor. Or it might cause electric shock to the people.
- Make sure the installation place is in good safety condition before installing the fixture.
- Make sure to put the safety chain and check whether the screws are screwed properly when installing the fixture.
- Make sure the lens is in good condition. It's recommended to replace the units if there are any damages or severe scratch.

- Make sure the fixture is operated by qualified personnel who knows the fixture before using.
- Keep the original packages if any second shipment is needed.
- Don't try to change the fixtures without any instruction by the manufacturer or the appointed repairing agencies.
- It is not in warranty range if there are any malfunctions from not following the user manual to operate or any illegal operation, like short circuit caused by shock, electric shock, lamp failure, etc.

## **5.MOUNTING AND INSTALLATION**

Cautions: For added protection mount the fixtures in areas outside walking paths, seating areas, or in areas where the fixture might be reached by unauthorized personnel.

Before mounting the fixture to any surface, make sure that the installation area can hold a minimum point load of 10 times the device's weight.

Fixture installation must always be secured with a secondary safety attachment, such as an appropriate safety cable.

When hanging, removing or repairing the product, it is forbidden to stand under the installation point.

Please ensure that this product should be installed at least 0.5 meters away from the flammable materials.

Please remember to use the safety rope as a safety guarantee, in case the accident is dropped quickly.

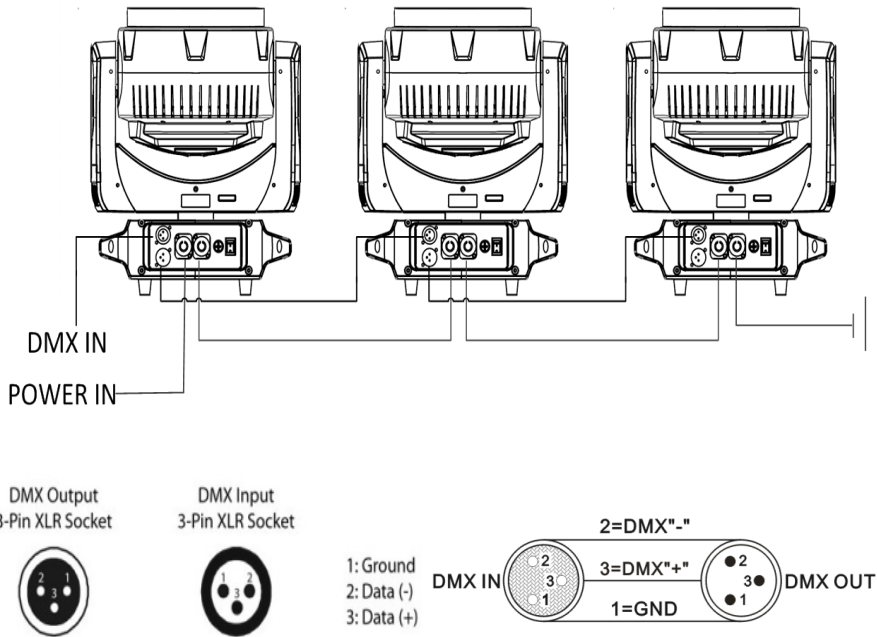
Hanging point: the top hanging requires that the installation personnel must be experienced, including calculating the load-bearing requirements, the installation materials used, and the periodic inspection of the safety status of the installation materials and products. If you lack this knowledge, please do not try to install it yourself. If not installed correctly, it may lead to serious consequences such as personal injury.

Make sure that all the required hanging and installation steps are completed before the product is powered on.

## **6. DMX-512 CONTROL CONNECTIONS**

Connect the provided the male connector of XLR signal cable into the signal output port of the controller and the female connector into the signal input port on the back board of the

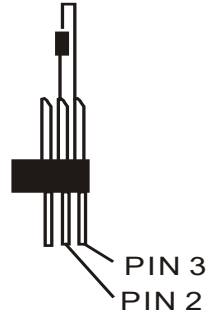
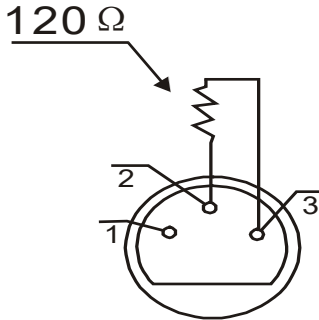
product. You can connect multiple products in series. The signal cable must be 3-pin, shielded, and with XLR input and output connectors. Please refer to the diagram below.



### DMX-512 connection with terminator (circuit connection)

For installations where the DMX cable has to run a long distance or is in an electrically noisy environment, such as in a discotheque, it is recommended to use a DMX terminator. This helps in preventing corruption of the digital control signal by electrical noise. The DMX terminator is simply an XLR plug with a 120  $\Omega$  resistor connected between pins 2 and 3, which is then plugged into the output XLR

socket of the last fixture in the chain. Please see illustrations below.



## 7.DMX CHANNELS

### 20CH

20CH	DMX Value	Function	Details
1	0-19	Shutter closed	Strobe/ shutter effect
	20-49	Shutter open	
	50-200	Strobe from slow to fast	
	201-210	Shutter open	
	211-255	Random strobe from slow to fast	
2	0-255	0-255 Linear dimming is from dark to bright	Total dimming
3	0-255	Dimming fine	Dimming fine
4	0-255	0-255 Red linear dimming from dark to bright	Red
5	0-255	Red fine	Red fine
6	0-255	0-255 Green linear dimming from dark to bright	Green
7	0-255	Green fine	Green fine

8	0-255	0-255 Blue linear dimming from dark to bright	Blue
9	0-255	Blue fine	Blue fine
10	0-18 1000K, 19 1050K, ...127 6450K, 128 6500K, 129 6550K, ...255 12850K		CTC - 1000 K to 12 850 K in 50 K steps
11	0-126	Shift towards magenta / negative Duv	Green-Magenta Shift (Tint)
		(0 is maximum offset from black body curve)	
	127-128	No shift (on black body curve)	
	129-255	Shift towards green / positive Duv	
		(255 is maximum offset from black body curve)	
12	0-10 Open		Virtual color wheel Indexing, solid colors, Color Macro)
	11 Moroccan pink (Lee 790)		
	13 Pink (Lee 157)		
	15 Special rose pink (Lee 332)		
	17 Follies pink (Lee 328)		
	19 Fuchsia pink (Lee 345)		
	21 Surprise pink (Lee 194)		
	23 Congo blue (Lee 181)		
	25 Tokyo blue (Lee 071)		
	27 Deep blue (Lee 120)		
	29 Just blue (Lee 079)		
	31 Medium blue (Lee 132)		
	33 Double CT blue (Lee 200)		
35 Slate blue (Lee 161)			

12

37 Full CT blue (Lee 201)
39 Half CT blue (Lee 202)
41 Steel blue (Lee 117)
43 Lighter blue (Lee 353)
45 Light blue (Lee 118)
47 Medium blue green (Lee 116)
49 Dark green (Lee 124)
51 Primary green (Lee 139)
53 Moss green (Lee 089)
55 Fern green (Lee 122)
57 Jas green (Lee 738)
59 Lime green (Lee 088)
61 Spring yellow (Lee 100)
63 Deep amber (Lee 104)
65 Chrome orange (Lee 179)
67 Orange (Lee 105)
69 Gold amber (Lee 021)
71 Millennium gold (Lee 778)
73 Deep golden amber (Lee 135)
75 Flame red (Lee 164)
77 Red magenta
79 Medium lavender
81 Pure white
83 Pure red
85 Pure yellow
87 Pure green
89 Pure cyan
91 Pure blue
93 Pure magenta
95 Peacock blue (LEE 115)
97 Dark lavender (LEE 180)
99 Double CT orange (LEE 287)
101 Full CT orange (LEE 204)
103 Half CT orange (LEE 205)

12	105 Deep Straw (LEE 015)		
	107-190 No function		
	Continuous rotation 191-214 CW from fast to slow		
	215-219 Stop(wheel stops at current position)		
	220-243 CCW from slow to fast		
	Random colors 244-247 Fast		
	248-251 Medium		
	252-255 Slow		
13	0-255	ZOOM	ZOOM
14	0-255	ZOOM fine from Narrow to wide	ZOOM fine
15	0-255	Pan	Pan rotation control
16	0-255	Pan fine from Left to right	Pan fine control
17	0-255	Tilt	Tilt rotation control
18	0-255	Tilt fine from Forward to backward	Tilt fine control
19	0-9 Exit calibration adjustment and return to normal control - 5 sec.		Fixture control/ settings (hold for number of seconds indicated to activate) (Reset function)
	10-14 Reset entire fixture - 5 sec.		
	15-16 No function.		
	17 Reset beam only - 5 sec.		
	18 Reset pan and tilt only - 5 sec.		
	19-22 No function.		
	23 Linear dimming curve - 1 sec. (menu override, setting unaffected by power off/on).		

19	24 Square law dimming curve - 1 sec. (menu override, default setting, setting unaffected by power off/on).
	25 Inverse square law dimming curve - 1 sec. (menu override, setting unaffected by power off/on).
	26 S-curve dimming curve - 1 sec. (menu override, setting unaffected by power off/on).
	27 No function.
	28 Fast pan and tilt speed (default setting) - 1 sec. (menu override - setting returns to Fast pan and tilt speed after power on/off).
	29 Smooth pan and tilt speed - 1 sec. (menu override - setting returns to Fast pan and tilt speed after power on/off).
	30-35 No function.
	36 Video tracking = ON - 1 sec.
	37 Video tracking = OFF (default setting) - 1 sec.
	38 Extended color mode (default setting) - 1 sec.
	39 Calibrated color mode - 1 sec.
	40-51 No function.
	52 Control panel display = ON (default setting) - 1 sec.
	53 Control panel display = OFF - 1 sec.
54 Regulated fan speed, fixed light output intensity (default setting) - 1 sec.	
55 Full fan speed, regulated light output intensity - 1 sec.	
56 Medium fan speed, regulated light output intensity - 1 sec.	

19	57 Low fan speed, regulated light output intensity - 1 sec.
	58 Ultra-low fan speed, regulated light output intensity - 1 sec.
	59-60 No function.
	61 Hibernation mode = ON - 1 sec.
	62 Hibernation mode = OFF (default setting) - 1 sec.
	63-64 No function.
	65 Pan and tilt limits on - 1 sec.
	66 Pan and tilt limits off (default setting) - 1 sec.
	67 Store lower pan limit - 1 sec.
	68 Store upper pan limit - 1 sec.
	69 Store lower tilt limit - 1 sec.
	70 Store upper tilt limit - 1 sec.
	71 Reset pan and tilt limits - 1 sec.
	72 Tungsten emulation = ON - 1 sec.
	73 Tungsten emulation = OFF (default setting) - 1 sec.
	74 Scene capture record - 5 sec.
	75 Scene capture playback = ON - 5 sec.
	76 Scene capture playback = OFF (default setting) - 5 sec.
	77-91 No function.
	92 Compact Mode Aura = ON - 1 sec.
	93 Compact Mode Aura = OFF (default setting) - 1 sec.
94-99 No function.	
100 Enable calibration adjustment - 5 sec.	
101 Store pan and tilt calibration - 5 sec.	

19	102 Store dimmer calibration – 5 sec.		
	103-113 No function.		
	114 Store zoom calibration – 5 sec.		
	115-198 No function.		
	199 Return all calibration settings to factory defaults – 5 sec.		
	200-207 No function.		
	208 Auto empty water = ON – 1 sec.		
	209 Auto empty water = OFF (default setting) – 1 sec.		
	210 Outdoor – Stop actions and return to normal operation (default setting) – 1 sec.		
	211 Outdoor – Empty head – 1 sec.		
	212 Outdoor – Dry off – 1 sec.		
	213 Outdoor – Go to safe parking position – 1 sec.		
	214-255 No function.		
	20	0-127	
128		Default PWM frequency (3000 Hz)	
129-254		No function	
255		High-speed PWM Frequency Mode (24 000 Hz)	

## 21CH

21CH	DMX Value	Function	Details
1	0-255	0-255 Red linear dimming from dark to bright	Red
2	0-255	Red fine	Red fine

3	0-255	O-255 Green linear dimming from dark to bright	Green
4	0-255	Green fine	Green fine
5	0-255	O-255 Blue linear dimming is from dark to bright	Blue
6	0-255	Blue fine	Blue fine
7	0-255	O-255 White linear dimming from dark to bright	White
8	0-255	White fine	White fine
9	0-255	Color temperature from high to low	CTO
10	0-255	Built-in color macro function	Built-in color
11	0-3	Lighting-off	Strobe
	4-103	Strobe from slow to fast	
	104-107	Light up	
	108-207	Pulse strobe from fast to slow	
	208-212	Light up	
	213-251	Random flash	
	252-255	Light up	
12	0-255	O-255 Linear dimming from dark to bright	Total dimming
13	0-255	Dimming fine	Dimming fine
14	0-255	Pan rotation control	Pan
15	0-255	Pan fine	Pan fine
16	0-255	Tilt rotation control	Tilt
17	0-255	Tilt fine	Tilt fine
18	0-255	Reserve macro function	Reserve macro function
19	0-25	No function	Reset function
	26-76	Effect reset	
	77-127	XY reset	

	128-129	No function	
	130-134	Fan mute mode	
	135-139	Fan standard mode	
	140-144	Fan full speed mode	
	145-191	No function	
	192-255	Full reset	
20	0-255	The angle is linearly regulated from small to large	Focus
21	0-127	0-60 degrees enlarge	Rotation
	128-190	Anti-clockwise infinite turns from fast to slow	
	191-192	Stop	
	193-255	Clockwise infinite turns from slow to fast	

### 30CH

30CH	DMX Value	Function	Details
1	0-255	Pan rotation control	Pan
2	0-255	Pan tuning control	Pan fine
3	0-255	Tilt rotation control	Tilt
4	0-255	Tilt fine control	Tilt fine
5	0-255	The XY speed from fast to slow	XY speed
6	0-255	Linear adjustment of angle from small to large	Zoom
7	0-127	0-60 degrees enlarge	Lens rotation
	128-190	Anti-clockwise infinite turn from fast to slow	
	191-192	Stop	
	193-255	Clockwise infinite turns from slow to fast	
8	0-255	0-255 Linear dimming from dark to bright	Dimming

9	0-3	Light up	Strobe
	4-200	Strobe from slow to fast	
	201-255	Random strobe from slow to fast	
10	0-255	0-255 Red linear dimming from dark to bright	R Dimming
11	0-255	0-255 Green linear dimming from dark to bright	G Dimming
12	0-255	0-255 Blue linear dimming from dark to bright	B Dimming
13	0-255	0-255 White linear dimming from dark to bright	W Dimming
14	0-9	No function	Colour temperature
	10-255	Color temperature from high to low	
15	0-255	Built-in color macro function	Built-in color
16	0-9	No function	Static effect
	10-255	5 DMX values for one effect	
17	0-4	No function	Dynamic effect
	5-255	5 DMX values for one effect	
18	0-127	Anti-clockwise from fast to slow, operating for 17 CH	Dynamic effect speed
	128-255	Clockwise from slow to fast, operate for 17 CH	
19	0-255	Red backlight dimming [use with dynamic effect]	Backlight colour R
20	0-255	Green backlight dimming [use with dynamic effect]	Backlight colour G

21	0-255	Blue backlight dimming [use with dynamic effect]	Backlight colour B
22	0-255	White backlight dimming [use with dynamic effect]	Backlight colour W
23	0-255	0-255 Linear dimming from dark to bright	Backlight total dimming
24	0-3	No function, light up	Backlight strobe
	4-250	Backlight strobe from slow to fast	
	251-255	No function, light up	
25	0-255	Red backlight dimming	Backlight red
26	0-255	Green backlight dimming	Backlight green
27	0-255	Blue backlight dimming	Backlight blue
28	0-1	No function	Backlight built-in macro function
	2-51	Every 2 DMX value is one kind of color	
	52-255	Every 3 DMX value is one kind of dynamic effect	
29	0-255	Backlight built-in macro speed changes from slow to fast	Backlight built-in macro speed
30	0-25	No function	Reset function
	26-76	Effect reset	
	77-127	XY reset	
	128-129	No function	
	130-134	Fan mute mode	
	135-139	Fan standard mode	
	140-144	Fan full speed mode	
	145-191	No function	
192-255	Full reset		

### 36CH

36CH	DMX Value	Function	Details
1	0-19	Lighting-off	Strobe
	20-49	Light up	
	50-200	Strobe from slow to fast	
	201-210	Light up	
	211-255	Random strobe	
2	0-255	0-255 Linear dimming is from dark to bright	Total dimming
3	0-255	Dimming fine	Dimming fine
4	0-255	0-255 Red linear dimming from dark to bright	Red
5	0-255	Red fine	Red fine
6	0-255	0-255 Green linear dimming from dark to bright	Green
g	0-255	Green fine	Green fine
8	0-255	0-255 Blue linear dimming from dark to bright	Blue
9	0-255	Blue fine	Blue fine
10	0-255	Color temperature from high to low	Color temperature
11	0-255	Obligate	Obligate
12	0-255	Built-in color macro function	Color macro
13	0-255	Linear adjustment of angle from small to large	Focus
14	0-255	Focus fine	Focus fine
15	0-255	Pan	Pan rotation control
16	0-255	Pan fine	Pan fine control
17	0-255	Tilt	Tilt rotation control

18	0-255	Tilt fine	Tilt fine control
19	0-25	No function	Reset function
	26-76	Effect reset	
	77-127	XY reset	
	128-129	No function	
	130-134	Fan mute mode	
	135-139	Fan standard mode	
	140-144	Fan full speed mode	
	145-191	No function	
	192-255	Full reset	
20	0-255	Frequency	Frequency
21	0-255	Obligate	Obligate
22	0-4	No function	LED built-in
	5-255	5 DMX values for one effect	
23	0-127	Anti-clockwise from fast to slow	LED built-in speed
	128-255	Clockwise from slow to fast	
24	0-1	No function	Backlight built-in
	2-51	Every 2 DMX value is one kind of color	
	52-255	Every 3 DMX is one kind of dynamic effect	
25	0-255	Backlight built-in speed from slow to fast	Backlight built-in speed
26	0-255	LED built-in translation	LED built-in translation
27	0-3	No function, light up	Backlight strobe
	4-250	Backlight strobe from slow to fast	
	251-255	No function, light up	
28	0-255	0-255 Linear dimming from dark to bright	Backlight dimming
29	0-255	Backlight dimming fine	Backlight dimming fine

30	0-255	O-255 Backlight red linear dimming from dark to bright	Backlight red
31	0-255	O-255 Backlight green linear dimming from dark to bright	Backlight green
32	0-255	O-255 Backlight blue linear dimming from dark to bright	Backlight blue
33	0-18		No function
	19-255	Backlight color temperature from low to high	Backlight color temperature
34	0-255	Obligate	Obligate
35	0-255	Backlight built-in color macro function	Backlight color macro
36	0-255	Obligate	Obligate

## 57CH

57CH	DMX Value	Function	Details
1	0-19	Lighting-off	Strobe
	20-49	Light up	
	50-200	Strobe from slow to fast	
	201-210	Light up	
	211-255	Random flash	
2	0-255	O-255 Linear dimming is from dark to bright	Total dimming
3	0-255	Dimming fine	Dimming fine
4	0-255	O-255 Red linear dimming from dark to bright	Red
5	0-255	Red fine	Red fine
6	0-255	O-255 Green linear dimming from dark to bright	Green
g	0-255	Green fine	Green fine

8	0-255	0-255 Blue linear dimming from dark to bright	Blue
9	0-255	Blue fine	Blue fine
10	0-255	Color temperature from high to low	Colour temperature
11	0-255	Obligate	Obligate
12	0-255	Built-in color macro function	Color macro
13	0-255	Linear adjustment of angle from small to large	Focus
14	0-255	Focus fine	Focus fine
15	0-255	Pan	Pan rotation control
16	0-255	Pan fine	Pan fine control
17	0-255	Tilt	Tilt rotation control
18	0-255	Tilt fine	Tilt fine control
19	0-25	No function	Reset function
	26-76	Effect reset	
	77-127	XY reset	
	128-129	No function	
	130-134	Fan mute mode	
	135-139	Fan standard mode	
	140-144	Fan full speed mode	
	145-191	No function	
192-255	Full reset		
20	0-255	Frequency	Frequency
21	0-255	Obligate	Obligate
22	0-4	No function	LED built-in
	5-255	5 DMX values for one effect	

23	0-127	Anti-clockwise from fast to slow	LED built-in speed
	128-255	Clockwise from slow to fast	
24	0-1	No function	Backlight built-in
	2-51	Every 2 DMX value is one kind of color	
	52-255	Every 3 DMX value is one kind of dynamic effect	
25	0-255	Backlight built-in speed from slow to fast	Backlight built-in speed
26	0-255	LED built-in translation	LED built-in translation
27	0-3	No function, light up	Backlight strobe
	4-250	Backlight strobe from slow to fast	
	251-255	No function, light up	
28	0-255	0-255 Linear dimming from dark to bright	Backlight dimming
29	0-255	Backlight dimming fine	Backlight dimming fine
30	0-255	0-255 Backlight red linear dimming from dark to bright	Backlight red
31	0-255	0-255 Backlight green linear dimming from dark to bright	Backlight green
32	0-255	0-255 Backlight blue linear dimming from dark to bright	Backlight blue
33	0-18		No function
	19-255	Backlight color temperature from low to high	Backlight color temperature
34	0-255	Obligate	Obligate
35	0-255	Backlight built-in color macro function	Backlight color macro
36	0-255	Obligate	Obligate

37	0-255	LED1 red from dark to bright	LED1 red
38	0-255	LED1 green from dark to bright	LED1 green
39	0-255	LED1 blue from dark to bright	LED1 blue
40	0-255	LED2 red from dark to bright	LED2 red
41	0-255	LED2 green from dark to bright	LED2 green
42	0-255	LED2 blue from dark to bright	LED2 blue
...		....	....
55	0-255	LED7 red from dark to bright	LED7 red
56	0-255	LED7 green from dark to bright	LED7 Green
57	0-255	LED7 blue from dark to bright	LED7 blue

## 78CH

78CH	DMX Value	Function	Details
1	0-255	0-255 Red linear dimming from dark to bright	Red
2	0-255	Red fine	Red fine
3	0-255	0-255 Green linear dimming from dark to bright	Green
4	0-255	Green fine	Green fine
5	0-255	0-255 Blue linear dimming is from dark to bright	Blue
6	0-255	Blue fine	Blue fine
7	0-255	0-255 White linear dimming from dark to bright	White
8	0-255	White fine	White fine

9	0-255	Color temperature from high to low	CTO
10	0-255	Built-in color macro function	Built-in color
11	0-3	Lighting-off	Strobe
	4-103	Strobe from slow to fast	
	104-107	Light up	
	108-207	Pulse strobe from fast to slow	
	208-212	Light up	
	213-251	Random strobe	
	252-255	Light up	
12	0-255	0-255 Linear dimming is from dark to bright	Total dimming
13	0-255	Dimming fine	Dimming fine
14	0-255	Pan rotation control	Pan
15	0-255	Pan fine	Pan fine
16	0-255	Tilt rotation control	Tilt
17	0-255	Tilt fine	Tilt fine
18	0-255	Reserve macro function	Reserve macro function
19	0-25	No function	Reset function
	26-76	Effect reset	
	77-127	XY reset	
	128-129	No function	
	130-134	Fan mute mode	
	135-139	Fan standard mode	
	140-144	Fan full speed mode	
	145-191	No function	
192-255	Full reset		
20	0-255	Linear adjustment of angle from small to large	Focus

21	0-127	0-60 degrees enlarge	Rotation
	128-190	Anti-clockwise from fast to slow	
	191-192	Stop	
	193-255	Clockwise infinite from slow to fast	
22	0-255	LED1 red from dark to bright	LED1 red
23	0-255	LED1 green from dark to bright	LED1 green
24	0-255	LED1 blue is from dark to bright	LED1 blue
25	0-255	LED2 red from dark to bright	LED2 red
26	0-255	LED2 green from dark to bright	LED2 green
27	0-255	LED2 blue from dark to bright	LED2 blue
...	...	...	...
40	0-255	LED7 red is from dark to bright	LED7 red
41	0-255	LED7 green from dark to bright	LED7 green
42	0-255	LED7 blue is from dark to bright	LED7 blue
43	0-255	Backlight 1 Red from dark to bright	Backlight 1 red
44	0-255	Backlight1 Green from dark to light	Backlight 1 green
45	0-255	Backlight 1 Blue from dark to bright	Backlight 1 blue
46	0-255	Backlight 2 red from dark to bright	Backlight 2 red
47	0-255	Backlight 2 green from dark to bright	Backlight 2 green
48	0-255	Backlight 2 blue from dark to bright	Backlight 2 blue
...	...	...	...

76	0-255	Backlight 12 red from dark to bright	Backlight 12 red
77	0-255	Backlight 12 green from dark to bright	Backlight 12 green
78	0-255	Backlight 12 blue from dark to bright	Backlight 12 blue

## 93CH

93CH	DMX Value	Function	Details
1	0-19	Lighting-off	Strobe
	20-49	Light up	
	50-200	Strobe from slow to fast	
	201-210	Light up	
	211-255	Random flash	
2	0-255	0-255 Linear dimming from dark to bright	Total dimming
3	0-255	Dimming fine	Dimming fine
4	0-255	0-255 Red linear dimming from dark to bright	Red
5	0-255	Red fine	Red fine
6	0-255	0-255 Green linear dimming from dark to bright	Green
7	0-255	Green fine	Green fine
8	0-255	0-255 Blue linear dimming from dark to bright	Blue
9	0-255	Blue fine	Blue fine
10	0-255	Color temperature from high to low	Color temperature
11	0-255	Obligate	Obligate
12	0-255	Built-in color macro function	Color macro
13	0-255	Linear adjustment of angle from small to large	Focus

14	0-255	Focus fine	Focus fine
15	0-255	Pan	Pan rotation control
16	0-255	Pan fine	Pan fine control
17	0-255	Tilt	Tilt rotation control
18	0-255	Tilt fine	Tilt fine control
19	0-25	No function	Reset function
	26-76	Effect reset	
	77-127	XY reset	
	128-129	No function	
	130-134	Fan mute mode	
	135-139	Fan standard mode	
	140-144	Fan full speed mode	
	145-191	No function	
	192-255	Full reset	
20	0-255	Frequency	Frequency
21	0-255	Obligate	Obligate
22	0-4	No function	LED built-in
	5-255	5 DMX values for one effect	
23	0-127	Anti-clockwise from fast to slow	LED built-in speed
	128-255	Clockwise from slow to fast	
24	0-1	No function	Backlight built-in
	2-51	Every 2 DMX value is one kind of color	
	52-255	Every 3 DMX value is one dynamic effect	
25	0-255	Backlight built-in speed from slow to fast	Backlight built-in speed
26	0-255	LED built-in translation	LED built-in translation

27	0-3	No function, light up	Backlight strobe
	4-250	Backlight strobe from slow to fast	
	251-255	No function, light up	
28	0-255	0-255 Linear dimming from dark to bright	Backlight dimming
29	0-255	Backlight dimming fine	Backlight dimming fine
30	0-255	0-255 Backlight red linear dimming from dark to bright	Backlight red
31	0-255	0-255 Backlight green linear dimming from dark to bright	Backlight green
32	0-255	0-255 Backlight blue linear dimming from dark to bright	Backlight blue
33	0-18		No function
	19-255	Backlight color temperature from low to high	Backlight color temperature
34	0-255	Obligate	Obligate
35	0-255	Backlight built-in color macro function	Backlight color macro
36	0-255	Obligate	Obligate
37	0-255	LED1 red from dark to bright	LED1 red
38	0-255	LED1 green from dark to bright	LED1 green
39	0-255	LED1 blue is from dark to bright	LED1 blue
40	0-255	LED2 red from dark to bright	LED2 red
41	0-255	LED2 green from dark to bright	LED2 green
42	0-255	LED2 blue from dark to bright	LED2 blue
...	...	...	...
55	0-255	LED7 red is from dark to bright	LED7 Red

56	0-255	LED7 green from dark to bright	LED7 green
57	0-255	LED7 blue is from dark to bright	LED7 blue
58	0-255	Backlight 1 Red from dark to bright	Backlight 1 red
59	0-255	Backlight1 Green from dark to light	Backlight 1 green
60	0-255	Backlight 1 Blue from dark to bright	Backlight 1 blue
61	0-255	Backlight 2 red from dark to bright	Backlight 2 red
62	0-255	Backlight 2 green from dark to bright	Backlight 2 green
63	0-255	Backlight 2 blue from dark to bright	Backlight 2 blue
...	...	...	...
91	0-255	Backlight 12 red from dark to bright	Backlight 12 red
92	0-255	Backlight 12 green from dark to bright	Backlight 12 green
93	0-255	Backlight 12 blue from dark to bright	Backlight 12 blue

## 8. DISPLAY INSTRUCTION

Menu	Sub-Menu	Secondary sub-menu	Function
Address	001-255		DMX address setting
Running Mode			Mode selection
	DMX	21/30/36/ 57/78/93	Console Mode
	Auto Test		Auto run test
	Manual Test		Manual test
	Auto		Auto
	Channel Test		Channel Test
Advanced Setting			Parameter settings
	Pan Reverse	YES/NO	Pan Reverse
	Tilt Reverse	YES/NO	Tilt Reverse
	Screen Reverse	YES/NO	Screen Reverse
	Screen Lock	YES/NO	Screen Lock
	No signal Hold	YES/NO	No signal Hold
	Pan Angle	540/360/180	Pan Angle
	Tilt Angle	250/180/90	Tilt Angle
	Arefaction Time	085	Arefaction Time
	Language	EN/CH	Language switch
	Dimmer Speed	Fast/Smooth	Dimmer Speed
	Dimmer Curve	Linear/Square/I Sequare/ Scurve	Dimmer Curve
	Reset function		All reset

Advanced Setting	Factory Reset		Factory mode
Sys Info			Fixture information
	Ver: V1.01		Version No.
	Running Mode: DMX		Running Mode
	Dmx Address: 001		DMX Value
	Temperature: Open		Temperature
	Fixture hours		Fixture hours
	SAVE Num		0x5a

When the temperature resistance is wrong, the screen has the following hints:	When the temperature resistance is wrong, the screen has the following hints:
Open circuit: Thermistor Open	Open circuit: Thermistor Open
Short-circuit: Thermistor Short	Short-circuit: Thermistor Short
Overheat: Thermistor Hot	Overheat: Thermistor Hot

## 9. PRODUCT FEATURES

- **Voltage:** AC90-240v 50-60HZ
- **Rated power:** 550W
- **Light source:** 7x 60W (4in1 RGBW) high brightness LEDs

- **Filament Aura:** 12x 3W (3in1 RGB) LED filament
- **Beam angle:** 7-45°
- **Strobe:** 1-25HZ with multiple strobe effects
- **Dimming:** Four dimming effect (Linear/Square/Inverse Square/Scurve) 0-100% linear dimming.
- **Channel:** Built-in 6 channel modes  
21/30/36/57/78/93CH
- **Control:** DMX512 /Auto/RDM
- **Pan:** 540°+16bit fine ; Tilt: 270°+16bit fine
- **Optical effect:** High precision integrated structure PMMA lens, high transparency quartz glass light pipe, creating a softer dyeing range. Latest Aura filament pixel effect.
- **Color:** RGBW color mixing with very bright and vibrant saturated colors, as well as soft pastels and white tones. Tungsten Emulation Option.Virtual Color Wheel.
- **Macro effects:** Multiple built-in macros with control of foreground color, background color, speed and direction. 3D video mapping of fixture beam pixels and/or Aura filaments. High-speed pan, tilt and zoom
- **Temperature control:** Intelligent temperature control, capable of automatically adjusting

the speed of the cooling fan and overheating protection

- **Body material:** Latest second-generation structural waterproof design, metal die-casting aluminum shell and fire-resistant and UV resistant engineering plastic
- **Protection level:** IP65, waterproof, dust-proof, oil resistant design, suitable for outdoor any weather condition
- **Display:** 1.77-inch OLED screen, Chinese and English menu, anti-interference photoelectric signal isolation system, waterproof intelligent touch key (screen activation password 1111)

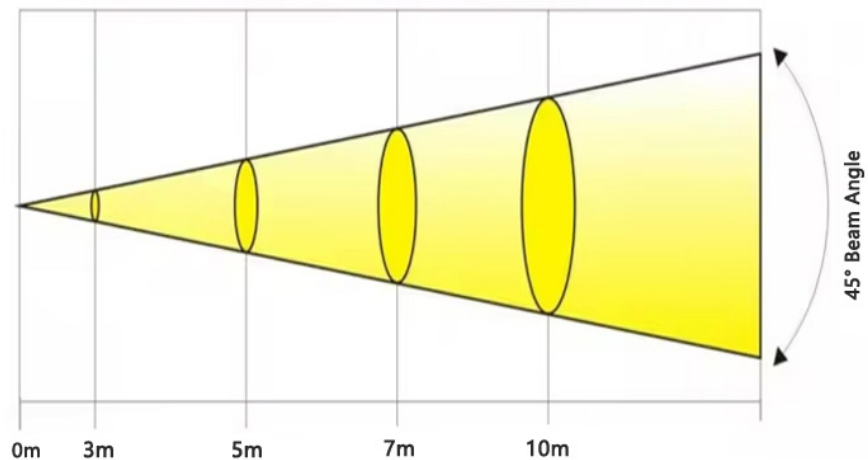
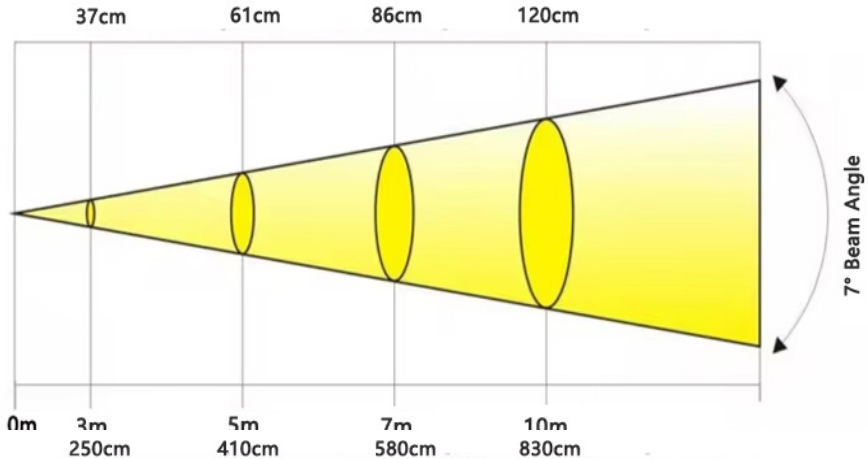
#### **FIXTURE DIMENSION:**

- **Head in vertical position:** 540\*385\*270 mm
- **Head in horizontal position:** 560\*385\*270mm
- **Carton size (1pc/ctn):** 630\*470\*360 mm
- **NW.:** 19.7kg **GW.:** 22.7 kg

# 10.PSYCHOMETRIC DATA

## LUX DATA OF 7 DEGREE BEAM ANGLE:

R 12400 lux@3m	4300 lux@5m	2200 lux@7m	1100 lux@10m
G 32500 lux@3m	12000 lux@5m	6500 lux@7m	3200 lux@10m
B 55500 lux@3m	21800 lux@5m	12000 lux@7m	6000 lux@10m
W 55800 lux@3m	22000 lux@5m	11400 lux@7m	5800 lux@10m
RGBW 10800 lux@3m	54000 lux@5m	29700 lux@7m	14600 lux@10m



## 11. MAINTENANCE AND CLEANING

The following points have to be considered during the inspection:

1. All screws for installing the devices or parts of the device have to be tightly connected and must not be corroded.
2. There must not be any deformations on the housing, color lenses, fixations and installation spots (ceiling, suspension, trussing).
3. Mechanically moved parts must not show any traces of wearing and must not rotate with unbalances.
4. The electric power supply cables must not show any damage, material fatigue or sediments. Further instructions depending on the installation spot and usage have to be adhered by a skilled installer and any safety problems have to be removed.



### CAUTION!

Disconnect from mains before starting maintenance operation.

In order to make the lights in good condition and extend the lifetime, we suggest a regular cleaning to the lights.

5. Clean the inside and outside lens each week to avoid the weakness of the lights due to accumulation of dust.
6. Clean the fan each week.
7. A detailed electric check by approved electrical engineer every three months, make sure that the circuit contacts are in good

condition, prevent the poor contact of circuit from overheating.

We recommend a frequent cleaning of the device. Please use a moist, lint- free cloth. Never use alcohol or solvents. There are no serviceable parts inside the device. Please refer to the instructions under “Installation instructions”. Should you need any spare parts, please order genuine parts from your local dealer.

