



**PRO
LUX**



SUPER DOTLINE 1060

Please keep reading this manual carefully for further use!

USER MANUAL

1.UNPACKING

Thank you for choosing our product. For your own safety, please read this manual before installing the device. This manual covers the important information on installation and applications. Please install and operate the fixture with following instructions. Meanwhile, please keep this manual well for future needs.

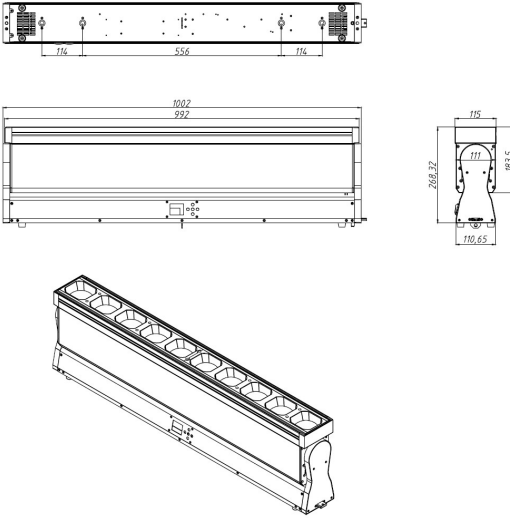
This fixture is made of a new type of high temperature strength of engineering plastics and cast aluminum casing with nice outlook. The fixture is designed and manufactured strictly following CE standards, complying with international standard DMX512 protocol. It's available independently controlled and linkable with each other for operation. And it is applicable for large-scale live performances, theater, studio, nightclubs and discos.

4-IN-1 LEDs(RGBW) which features high brightness and stability. Please carefully unpack it when you receive the fixture and check whether it is damaged during the transportation. And please check whether the following items are included inside the box:

- LED Pixel Zoom bar1
- Power Cable1
- 3-Pin Signal Cable1
- Safety Cable.....1
- Omega Bracket.....2
- User Manual.....1

2. FIXTURE SIZE

UNIT OF LENGTH: MM



3. SAFETY INSTRUCTIONS



CAUTION!

Be careful with your operations. With a dangerous voltage you can suffer a dangerous electric shock when touching wires!

- This device has left the factory in perfect condition. In order to maintain this condition and to ensure a safe operation, it is absolutely necessary for the user to follow the safety instructions and warning notes written in this user manual.



Important:

Damages caused by the disregard of this user manual are not subject to warranty. The dealer will not accept liability for any resulting defects or problems.

- If the device has been exposed to

temperature changes due to environmental changes, do not switch it on immediately. The arising condensation could damage the device. Leave the device switched off until it has reached room temperature.

- This device falls under protection-class I. Therefore it is essential that the device be earthed.
- The electrical connection must be carried out by a qualified person. The device shall only be used with rate voltage and frequency.
- Make sure that the available voltage is not higher than stated at the end of this manual.
- Make sure the power cord is never crimped or damaged by sharp edges. If this would be the case, replacement of the cable must be done by an authorized dealer.
- Always disconnect from the mains, when the device is not in use or before cleaning it. Only handle the power cord by the plug. Never pull out the plug by tugging the power cord.
- During initial start-up some smoke or smell may arise. This is a normal process and does not necessarily mean that the device is defective, it should decrease gradually.
- Please don't project the beam onto combustible substances.
- Fixtures must not be installed on combustible surfaces; keep at least 50 cm distance from

walls for smooth air flow, so there should be no shelter for fans and ventilation for heat radiation.

- If the external flexible cable or cord of this luminaire is damaged, it shall be exclusively replaced by the manufacturer or his service agent or a similar qualified person in order to avoid a hazard.

4. OPERATION INSTRUCTIONS

- The fixture is for beam effect purpose.
- Don't turn on the fixture if it's been through severe temperature difference like after transportation because it might damage the light due to the environment changes. So make sure to operate the fixture until it is in normal temperature.
- This light should be kept away from strong shaking during any transportation or movement.
- Don't pull up the light by only the head, or it might cause damages to the mechanical parts.
- Don't expose the fixture in overheat, moisture or environment with too much dust when installing it. And don't lay any power cables on the floor. Or it might cause electronic shock to the people.
- Make sure the installation site is safe before installing the fixture.
- Make sure to put the safety chain and check whether the screws are screwed properly when installing the fixture.
- Make sure the lens are in good condition. It's

recommended to replace the units if there are any damages or severe scratch.

- Make sure the fixture is operated by qualified personnel who knows the fixture before using.
- Keep the original packages if any subsequent shipment is needed.
- Don't try to change the fixtures without any instruction by the manufacturer or the appointed repairing agencies.
- It is not in warranty range if there are any malfunctions from not following the user manual to operate or any illegal operation, like shock short circuit, electronic shock, lamp broke, etc.

5. MOUNTING AND INSTALLATION

Cautions: For added protection mount the fixtures in areas outside walking paths, seating areas, or in areas where the fixture might be reached by unauthorized personnel. Before mounting the fixture to any surface, make sure that the installation area can hold a minimum point load of 10 times the device's weight.

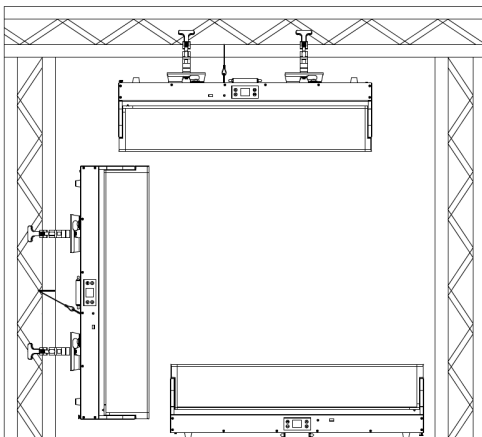
Fixture installation must always be secured with a secondary safety attachment, such as an appropriate safety cable.

Never stand directly below the device when mounting, removing, or servicing the fixture from a periodic safety inspection of all installation material and the fixture. If you lack these qualifications, do not attempt the installation yourself. Improper installation can result in bodily

injury.

Be sure to complete all rigging and installation procedures before connecting the main power cord to the appropriate wall outlet.

Clamp Mounting: The Super LED Pixel Zoom bar provides a unique mounting bracket assembly that integrates the bottom of the base, and the safety cable rigging point in one unit (see the illustration below). When mounting this fixture to truss be sure to secure an appropriately rated clamp to the included omega bracket using a M10 screw fitted through the center hole of the “omega bracket”. As an added safety measure be sure to attach at least one properly rated safety cable to the fixture using one of the safety cable rigging point integrated in the base assembly



Regardless of the rigging option you choose for your Super LED pixel Zoom par, always be sure to secure your fixture with a safety cable. The fixture provides a built-in rigging point for a safety cable on the hanging bracket as illustrated above. Be sure to only use the

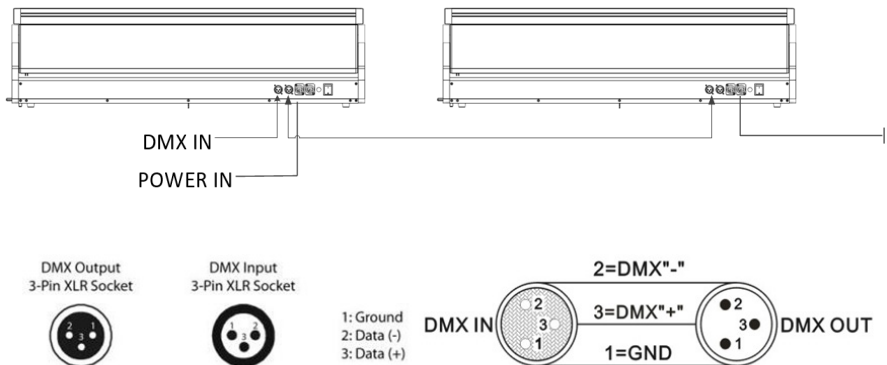
designated rigging point for the safety cable and never secure a safety cable to a carrying handle.

6. DMX-512 CONTROL CONNECTIONS

Connect the provided XLR cable to the female 3-pin XLR output of your controller and the other side to the male 3-pin XLR input of the moving head. (5-pin connect way is similar)

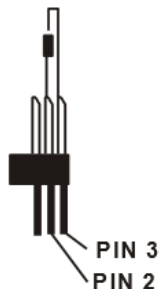
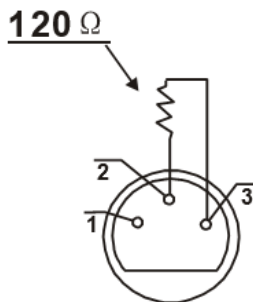
You can chain multiple Moving heads be connected together through serial linking. The cable needed should be two core, screened cable with XLR input and output connectors. Please refer to the diagram below.

DMX-512 CONNECTION WITH DMX TERMINATOR PLUG



For installations where the DMX cable has to run a long distance or is in an electrically noisy environment, such as in a discotheque, it is recommended to use a DMX terminator plug. This helps in preventing corruption of the digital

control signal by electrical noise. The DMX terminator plug is simply an XLR plug with a 120 Ω resistor connected between pins 2 and 3, which is then plugged into the output XLR socket of the last fixture in the chain. Please see illustrations below.



7.DMX CHANNELS

17CH

CH	Function	DMX	Details
1	Tilt	0-255	Tilt
2	Tilt Fine	0-255	Tilt fine
3	Zoom	0-255	Zoom
4	Dimmer	0-255	0-100% dimmer
5	Main LED Strobe	0-7	No function
		8-15	Open(LED on)
		16-131	Strobe from fast to slow
		132-139	Open(LED on)
		140-181	Slow open fast close from slow to fast
		182-189	Open(LED on)

		190-231	Fast open Slow close from slow to fast
		232-239	Open(LED on)
		240-247	Random strobe from slow to fast
		248-255	Open(LED on)
6	White LED Strobe	0-7	No function
		8-15	Open(LED on)
		16-131	Strobe from fast to slow
		132-139	Open(LED on)
		140-181	Slow open fast close from slow to fast
		182-189	Open(LED on)
		190-231	Fast open Slow close from slow to fast
		232-239	Open(LED on)
		240-247	Random strobe from slow to fast
		248-255	Open(LED on)
7	RGB LED strobe	0-7	No function
		8-15	Open(LED on)
		16-131	Strobe from fast to slow
		132-139	Open(LED on)
		140-181	Slow open fast close from slow to fast
		182-189	Open(LED on)

		190-231	Fast open Slow close from slow to fast
		232-239	Open(LED on)
		240-247	Random strobe from slow to fast
		248-255	Open(LED on)
8	Macro function	0-29	No function
		30-39	Dimmer Curve: Linear
		40-49	Dimmer Curve: Square Law
		50-59	Dimmer Curve: Inv SQ Law
		60-69	Dimmer Curve: S Curve
		70-79	Power Mode: Standard
		80-89	No function
		90-99	Power Mode: Quiet
		100-137	No function
		138-139	No function
		140-149	Tilt reset
		150-159	Effect Re set
8	Macro function	160-169	CCT Calibration: On
		170-179	CCT Calibration: Off
		180-199	No function
		200-209	All Reset
		210-219	Dimmer Speed: Fast
		220-229	Dimmer Speed: Smooth

		230-239	Line Power Mode: Off
		240-249	Line Power Mode: On
		250-255	No function
9	Main Red	0-255	Main LED Red 0-100% dimmer
10	Main Green	0-255	Main LED Green 0-100% dimmer
11	Main Blue	0-255	Main LED Blue 0-100% dimmer
12	Main White	0-255	Main LED White 0-100% dimmer
13	Line CW	0-255	Line strobe cool white 0-100% dimmer
14	Line WW	0-255	Line strobe warm white 0-100% dimmer
15	Line Red	0-255	Line LED Red 0-100% dimmer
16	Line Green	0-255	Line LED Green 0-100% dimmer
17	Line Blue	0-255	Line LED Blue 0-100% dimmer

27CH

CH	Function	DMX	Details
1	Tilt	0-255	Tilt
2	Tilt Fine	0-255	Tilt fine
3	Zoom	0-255	Zoom
4	Dimmer	0-255	0-100% dimmer
5	Main LED Strobe	0-7	No function
		8-15	Open(LED on)
		16-131	Strobe from fast to slow

		132-139	Open(LED on)
		140-181	Slow open fast close from slow to fast
		182-189	Open(LED on)
		190-231	Fast open Slow close from slow to fast
		232-239	Open(LED on)
		240-247	Random strobe from slow to fast
		248-255	Open(LED on)
6	White LED Strobe	0-7	No function
		8-15	Open(LED on)
		16-131	Strobe from fast to slow
		132-139	Open(LED on)
		140-181	Slow open fast close from slow to fast
		182-189	Open(LED on)
		190-231	Fast open Slow close from slow to fast
6	White LED Strobe	232-239	Open(LED on)
		240-247	Random strobe from slow to fast
		248-255	Open(LED on)
7	RGB LED strobe	0-7	No function
		8-15	Open(LED on)
		16-131	Strobe from fast to slow
		132-139	Open(LED on)
		140-181	Slow open fast close from slow to fast

		182-189	Open(LED on)
		190-231	Fast open Slow close from slow to fast
		232-239	Open(LED on)
		240-247	Random strobe from slow to fast
		248-255	Open(LED on)
8	Macro function	0-29	No function
		30-39	Dimmer Curve: Linear
		40-49	Dimmer Curve: Square Law
		50-59	Dimmer Curve: Inv SQ Law
		60-69	Dimmer Curve: S Curve
		70-79	Power Mode: Standard
		80-89	No function
		90-99	Power Mode: Quiet
		100-149	Tilt reset
		150-159	Effect Reset
		160-169	CCT Calibration: On
		170-179	CCT Calibration: Off
		180-199	No function
		200-209	All Reset
		210-219	Dimmer Speed: Fast
		220-229	Dimmer Speed: Smooth
		230-239	Line Power Mode: Off

		240-249	Line Power Mode: On
		250-255	No function
9	Main Red	0-255	Main LED Red 0-100% dimmer
10	Main Green	0-255	Main LED Green 0-100% dimmer
11	Main Blue	0-255	Main LED Blue 0-100% dimmer
12	Main White	0-255	Main LED White 0-100% dimmer
13	CTO	0-255	CTO
14	Main Macro color (Every 8 DMX value is one kind of macro color)	0-7	No function
		8-15	Macro color 1
		16-23	Macro color 2
	
	
		240-247	Macro color 30
		248-255	Macro color 31
15	Main Macro effect(Every 8 DMX value is one kind of macro color)	0-7	No function
		8-15	Macro effect 1
		16-23	Macro effect 2
	
	
		184-191	Macro effect 23
		192-255	No function
16	Main Macro speed	0-127	Slow to Fast without Fade

		128-255	Slow to Fast with Fade
		248-255	No function
17	Strobe Line CW	0-255	Line strobe cool white color 0-100% dimmer
18	Strobe Line WW	0-255	Line strobe warm white color 0-100% dimmer
19	Strobe line white CTO	0-67	No function
		68-247	Line LED CTO
		248-255	No function
20	Line White Macro effect(Every 8 DMX value is one kind of macro color)	0-7	No function
		8-15	Macro effect 1
		16-23	Macro effect 2
	
	
		184-191	Macro effect 23
		192-255	No function
21	Line White Macro speed	0-127	Slow to Fast without Fade
		128-255	Slow to Fast with Fade
22	Line Red	0-255	Line strobe Red color 0-100% dimmer
23	Line Green	0-255	Line strobe Green color 0-100% dimmer
24	Line Blue	0-255	Line strobe Blue color 0-100% dimmer
25	Strobe line CTO	0-7	No function
		8-15	Macro color 1
		16-23	Macro color 2
	
	

		240-247	Macro color 30
		248-255	Macro color 31
26	Line RGB Macro effect (Every 8 DMX value is one kind of macro color)	0-7	No function
		8-15	Macro effect 1
		16-23	Macro effect 2
	
	
		184-191	Macro effect 23
		192-255	No function
27	Line RGB Macro speed	0-127	Slow to Fast without Fade
		128-255	Slow to Fast with Fade

99CH

CH	Function	DMX	Details
1	Tilt	0-255	Tilt
2	Tilt Fine	0-255	Tilt fine
3	Zoom	0-255	Zoom
4	Dimmer	0-255	0-100% dimmer
5	Main LED Strobe	0-7	No function
		8-15	Open(LED on)
		16-131	Strobe from fast to slow
		132-139	Open(LED on)
		140-181	Slow open fast close from slow to fast
		182-189	Open(LED on)
		190-231	Fast open Slow close from slow to fast
		232-239	Open(LED on)

		240-247	Random strobe from slow to fast
		248-255	Open(LED on)
6	White LED Strobe	0-7	No function
		8-15	Open(LED on)
		16-131	Strobe from fast to slow
		132-139	Open(LED on)
		140-181	Slow open fast close from slow to fast
		182-189	Open(LED on)
		190-231	Fast open Slow close from slow to fast
		232-239	Open(LED on)
		240-247	Random strobe from slow to fast
		248-255	Open(LED on)
7	RGB LED strobe	0-7	No function
		8-15	Open(LED on)
		16-131	Strobe from fast to slow
		132-139	Open(LED on)
		140-181	Slow open fast close from slow to fast
		182-189	Open(LED on)
		190-231	Fast open Slow close from slow to fast
		232-239	Open(LED on)
		240-247	Random strobe from slow to fast
		248-255	Open(LED on)

8	Macro function	0-29	No function
		30-39	Dimmer Curve: Linear
		40-49	Dimmer Curve: Square Law
		50-59	Dimmer Curve: Inv SQ Law
		60-69	Dimmer Curve: S Curve
		70-79	Power Mode: Standard
		80-89	No function
		90-99	Power Mode: Quiet
		100-109	Led Frequency Setting Enable
		110-119	Led Frequency Setting Disable
		120-139	No function
		140-149	Tilt reset
		150-159	Effect Reset
		160-169	CCT Calibration: On
		170-179	CCT Calibration: Off
		180-199	No function
		200-209	All Reset
		210-219	Dimmer Speed: Fast
		220-229	Dimmer Speed: Smooth
		230-239	Line Power Mode: Off
240-249	Line Power Mode: On		
250-255	No function		
9	Main Red 1	0-255	Main LED 1 Red 0-100% dimmer
10	Main Green 1	0-255	Main LED 1 Green 0-100% dimmer

11	Main Blue 1	0-255	Main LED 1 Blue 0-100% dimmer
12	Main White 1	0-255	Main LED 1 White 0-100% dimmer
13	Main Red 2	0-255	Main LED 2 Red 0-100% dimmer
14	Main Green 2	0-255	Main LED 2 Green 0-100% dimmer
15	Main Blue 2	0-255	Main LED 2 Blue 0-100% dimmer
16	Main White 2	0-255	Main LED 2 White 0-100% dimmer
17	Main Red3	0-255	Line LED Red3 0-100% dimmer
...
...
...
...
37	Main Red 8	0-255	Main LED 8 Red 0-100% dimmer
38	Main Green 8	0-255	Main LED 8 Green 0-100% dimmer
39	Main Blue 8	0-255	Main LED 8 Blue 0-100% dimmer
40	Main White 8	0-255	Main LED 8 White 0-100% dimmer
41	Main Red 9	0-255	Main LED 9 Red 0-100% dimmer
42	Main Green 9	0-255	Main LED 9 Green 0-100% dimmer
43	Main Blue 9	0-255	Main LED 9 Blue 0-100% dimmer
44	Main White 9	0-255	Main LED 9 White 0-100% dimmer
45	Main Red 10	0-255	Main LED 10 Red 0-100% dimmer
46	Main Green 10	0-255	Main LED 10 Green 0-100% dimmer

47	Main Blue 10	0-255	Main LED 10 Blue 0-100% dimmer
48	Main White 10	0-255	Main LED 10 White 0-100% dimmer
49	Line CW 1	0-255	Line LED 1 Cool White 0-100% dimmer
50	Line WW 1	0-255	Line LED 1 Warm White 0-100% dimmer
51	Line CW 2	0-255	Line LED 2 Cool White 0-100% dimmer
52	Line WW 2	0-255	Line LED 2 Warm White 0-100% dimmer
53	Line CW 3	0-255	Line LED 3 Cool White 0-100% dimmer
54	Line WW 3	0-255	Line LED 3 Warm White 0-100% dimmer
55	Line CW 4	0-255	Line LED 4 Cool White 0-100% dimmer
56	Line WW 4	0-255	Line LED 4 Warm White 0-100% dimmer
57	Line CW 5	0-255	Line LED 5 Cool White 0-100% dimmer
58	Line WW 5	0-255	Line LED 5 Warm White 0-100% dimmer
59	Line CW 6	0-255	Line LED 6 Cool White 0-100% dimmer
60	Line WW 6	0-255	Line LED 6 Warm White 0-100% dimmer

61	Line CW 7	0-255	Line LED 7 Cool White 0-100% dimmer
62	Line WW 7	0-255	Line LED 7 Warm White 0-100% dimmer
63	Line CW 8	0-255	Line LED 8 Cool White 0-100% dimmer
64	Line WW 8	0-255	Line LED 8 Warm White 0-100% dimmer
65	Line CW 9	0-255	Line LED 9 Cool White 0-100% dimmer
66	Line WW 9	0-255	Line LED 9 Warm White 0-100% dimmer
67	Line CW 10	0-255	Line LED 10 Cool White 0-100% dimmer
68	Line WW 10	0-255	Line LED 10 Warm White 0-100% dimmer
69	Line CW 11	0-255	Line LED 11 Cool White 0-100% dimmer
70	Line WW 11	0-255	Line LED 11 Warm White 0-100% dimmer
71	Line CW 12	0-255	Line LED 12 Cool White 0-100% dimmer
72	Line WW 12	0-255	Line LED 12 Warm White 0-100% dimmer
73	Line CW 13	0-255	Line LED 13 Cool White 0-100% dimmer

74	Line WW 13	0-255	Line LED 13 Warm White 0-100% dimmer
75	Line CW 14	0-255	Line LED 14 Cool White 0-100% dimmer
76	Line WW 14	0-255	Line LED 14 Warm White 0-100% dimmer
77	Line CW 15	0-255	Line LED 15 Cool White 0-100% dimmer
78	Line WW 15	0-255	Line LED 15 Warm White 0-100% dimmer
79	Line CW 16	0-255	Line LED 16 Cool White 0-100% dimmer
80	Line WW 16	0-255	Line LED 16 Warm White 0-100% dimmer
81	Line CW 17	0-255	Line LED 17 Cool White 0-100% dimmer
82	Line WW 17	0-255	Line LED 17 Warm White 0-100% dimmer
83	Line CW 18	0-255	Line LED 18 Cool White 0-100% dimmer
84	Line WW 18	0-255	Line LED 18 Warm White 0-100% dimmer
85	Line CW 19	0-255	Line LED 19 Cool White 0-100% dimmer
86	Line WW 19	0-255	Line LED 19 Warm White 0-100% dimmer

87	Line CW 20	0-255	Line LED 20 Cool White 0-100% dimmer
88	Line WW 20	0-255	Line LED 20 Warm White 0-100% dimmer
89	Line CW 21	0-255	Line LED 21 Cool White 0-100% dimmer
90	Line WW 21	0-255	Line LED 21 Warm White 0-100% dimmer
91	Line CW 22	0-255	Line LED 22 Cool White 0-100% dimmer
92	Line WW 22	0-255	Line LED 22 Warm White 0-100% dimmer
93	Line CW 23	0-255	Line LED 23 Cool White 0-100% dimmer
94	Line WW 23	0-255	Line LED 23 Warm White 0-100% dimmer
95	Line CW 24	0-255	Line LED 24 Cool White 0-100% dimmer
96	Line WW 24	0-255	Line LED 24 Warm White 0-100% dimmer
97	Line Red	0-255	Line LED Red 0-100% dimmer
98	Line Green	0-255	Line LED Green 0-100% dimmer
99	Line Blue	0-255	Line LED Blue 0-100% dimmer

108CH

CH	Function	DMX	Details
1	Tilt	0-255	Tilt
2	Tilt Fine	0-255	Tilt fine
3	Zoom	0-255	Zoom
4	Dimmer	0-255	0-100% dimmer
5	Main LED Strobe	0-7	No function
		8-15	Open(LED on)
		16-131	Strobe from fast to slow
		132-139	Open(LED on)
		140-181	Slow open fast close from slow to fast
		182-189	Open(LED on)
		190-231	Fast open Slow close from slow to fast
		232-239	Open(LED on)
		240-247	Random strobe from slow to fast
		248-255	Open(LED on)
6	White LED Strobe	0-7	No function
		8-15	Open(LED on)
		16-131	Strobe from fast to slow
		132-139	Open(LED on)
		140-181	Slow open fast close from slow to fast
		182-189	Open(LED on)
		190-231	Fast open Slow close from slow to fast
		232-239	Open(LED on)
		240-247	Random strobe from slow to fast
		248-255	Open(LED on)

7	RGB LED strobe	0-7	No function
		8-15	Open(LED on)
		16-131	Strobe from fast to slow
		132-139	Open(LED on)
		140-181	Slow open fast close from slow to fast
		182-189	Open(LED on)
		190-231	Fast open Slow close from slow to fast
		232-239	Open(LED on)
		240-247	Random strobe from slow to fast
		248-255	Open(LED on)
8	Macro function	0-29	No function
		30-39	Dimmer Curve: Linear
		40-49	Dimmer Curve: Square Law
		50-59	Dimmer Curve: Inv SQ Law
		60-69	Dimmer Curve: S Curve
		70-79	Power Mode: Standard
		80-89	No function
		90-99	Power Mode: Quiet
		100-109	Led Frequency Setting Enable
		110-119	Led Frequency Setting Disable
		120-139	No function
		140-149	Tilt reset
		150-159	Effect Reset
		160-169	CCT Calibration: On
170-179	CCT Calibration: Off		

		180-199	No function
		200-209	All Reset
		210-219	Dimmer Speed: Fast
		220-229	Dimmer Speed: Smooth
		230-239	Line Power Mode: Off
		240-249	Line Power Mode: On
		250-255	No function
9	Main Red 1	0-255	Main LED 1 Red 0-100% dimmer
10	Main Green 1	0-255	Main LED 1 Green 0-100% dimmer
11	Main Blue 1	0-255	Main LED 1 Blue 0-100% dimmer
12	Main White 1	0-255	Main LED 1 White 0-100% dimmer
13	Main Red 2	0-255	Main LED 2 Red 0-100% dimmer
14	Main Green 2	0-255	Main LED 2 Green 0-100% dimmer
15	Main Blue 2	0-255	Main LED 2 Blue 0-100% dimmer
16	Main White 2	0-255	Main LED 2 White 0-100% dimmer
17	Main Red 3	0-255	Main LED 3 Red 0-100% dimmer
18	Main Green 3	0-255	Main LED 3 Green 0-100% dimmer
19	Main Blue 3	0-255	Main LED 3 Blue 0-100% dimmer
20	Main White 3	0-255	Main LED 3 White 0-100% dimmer
...
...
...
...

45	Main Red 10	0-255	Main LED 10 Red 0-100% dimmer
46	Main Green 10	0-255	Main LED 10 Green 0-100% dimmer
47	Main Blue 10	0-255	Main LED 10 Blue 0-100% dimmer
48	Main White 10	0-255	Main LED 10 White 0-100% dimmer
49	Line CW 1	0-255	Line LED 1 Cool White 0-100% dimmer
50	Line WW 1	0-255	Line LED 1 Warm White 0-100% dimmer
51	Line CW 2	0-255	Line LED 2 Cool White 0-100% dimmer
52	Line WW 2	0-255	Line LED 2 Warm White 0-100% dimmer
53	Line CW 3	0-255	Line LED 3 Cool White 0-100% dimmer
54	Line WW 3	0-255	Line LED 3 Warm White 0-100% dimmer
55	Line CW 4	0-255	Line LED 4 Cool White 0-100% dimmer
56	Line WW 4	0-255	Line LED 4 Warm White 0-100% dimmer
57	Line CW 5	0-255	Line LED 5 Cool White 0-100% dimmer
58	Line WW 5	0-255	Line LED 5 Warm White 0-100% dimmer
59	Line CW 6	0-255	Line LED 6 Cool White 0-100% dimmer

60	Line WW 6	0-255	Line LED 6 Warm White 0-100% dimmer
61	Line CW 7	0-255	Line LED 7 Cool White 0-100% dimmer
62	Line WW 7	0-255	Line LED 7 Warm White 0-100% dimmer
63	Line CW 8	0-255	Line LED 8 Cool White 0-100% dimmer
64	Line WW 8	0-255	Line LED 8 Warm White 0-100% dimmer
65	Line CW 9	0-255	Line LED 9 Cool White 0-100% dimmer
66	Line WW 9	0-255	Line LED 9 Warm White 0-100% dimmer
67	Line CW 10	0-255	Line LED 10 Cool White 0-100% dimmer
68	Line WW 10	0-255	Line LED 10 Warm White 0-100% dimmer
69	Line CW 11	0-255	Line LED 11 Cool White 0-100% dimmer
70	Line WW 11	0-255	Line LED 11 Warm White 0-100% dimmer
71	Line CW 12	0-255	Line LED 12 Cool White 0-100% dimmer
72	Line WW 12	0-255	Line LED 12 Warm White 0-100% dimmer
73	Line Red 1	0-255	Line LED 1 Red 0-100% dimmer

74	Line Green 1	0-255	Line LED 1 Green 0-100% dimmer
75	Line Blue 1	0-255	Line LED 1 Blue 0-100% dimmer
76	Line Red 2	0-255	Line LED 2 Red 0-100% dimmer
77	Line Green 2	0-255	Line LED 2 Green 0-100% dimmer
78	Line Blue 2	0-255	Line LED 2 Blue 0-100% dimmer
79	Line Red 3	0-255	Line LED 3 Red 0-100% dimmer
80	Line Green 3	0-255	Line LED 3 Green 0-100% dimmer
81	Line Blue 3	0-255	Line LED 3 Blue 0-100% dimmer
82	Line Red 4	0-255	Line LED 4 Red 0-100% dimmer
83	Line Green 4	0-255	Line LED 4 Green 0-100% dimmer
84	Line Blue 4	0-255	Line LED 4 Blue 0-100% dimmer
85	Line Red 5	0-255	Line LED 5 Red 0-100% dimmer
86	Line Green 5	0-255	Line LED 5 Green 0-100% dimmer
87	Line Blue 5	0-255	Line LED 5 Blue 0-100% dimmer
88	Line Red 6	0-255	Line LED 6 Red 0-100% dimmer
89	Line Green 6	0-255	Line LED 6 Green 0-100% dimmer
90	Line Blue 6	0-255	Line LED 6 Blue 0-100% dimmer
91	Line Red 7	0-255	Line LED 7 Red 0-100% dimmer
92	Line Green 7	0-255	Line LED 7 Green 0-100% dimmer

93	Line Blue 7	0-255	Line LED 7 Blue 0-100% dimmer
94	Line Red 8	0-255	Line LED 8 Red 0-100% dimmer
95	Line Green 8	0-255	Line LED 8 Green 0-100% dimmer
96	Line Blue 8	0-255	Line LED 8 Blue 0-100% dimmer
97	Line Red 9	0-255	Line LED 9 Red 0-100% dimmer
98	Line Green 9	0-255	Line LED 9 Green 0-100% dimmer
99	Line Blue 9	0-255	Line LED 9 Blue 0-100% dimmer
100	Line Red 10	0-255	Line LED 10 Red 0-100% dimmer
101	Line Green 10	0-255	Line LED 10 Green 0-100% dimmer
102	Line Blue 10	0-255	Line LED 10 Blue 0-100% dimmer
103	Line Red 11	0-255	Line LED 11 Red 0-100% dimmer
104	Line Green 11	0-255	Line LED 11 Green 0-100% dimmer
105	Line Blue 11	0-255	Line LED 11 Blue 0-100% dimmer
106	Line Red 12	0-255	Line LED 12 Red 0-100% dimmer
107	Line Green 12	0-255	Line LED 12 Green 0-100% dimmer
108	Line Blue 12	0-255	Line LED 12 Blue 0-100% dimmer

168CH

CH	Function	DMX	Details
1	Tilt	0-255	Tilt

2	Tilt Fine	0-255	Tilt fine
3	Zoom	0-255	Zoom
4	Dimmer	0-255	0-100% dimmer
5	Main LED Strobe	0-7	No function
		8-15	Open(LED on)
		16-131	Strobe from fast to slow
		132-139	Open(LED on)
		140-181	Slow open fast close from slow to fast
		182-189	Open(LED on)
		190-231	Fast open Slow close from slow to fast
		232-239	Open(LED on)
		240-247	Random strobe from slow to fast
248-255	Open(LED on)		
6	White LED Strobe	0-7	No function
		8-15	Open(LED on)
		16-131	Strobe from fast to slow
		132-139	Open(LED on)
		140-181	Slow open fast close from slow to fast
		182-189	Open(LED on)
		190-231	Fast open Slow close from slow to fast
		232-239	Open(LED on)

		240-247	Random strobe from slow to fast
		248-255	Open(LED on)
7	RGB LED strobe	0-7	No function
		8-15	Open(LED on)
		16-131	Strobe from fast to slow
		132-139	Open(LED on)
		140-181	Slow open fast close from slow to fast
		182-189	Open(LED on)
		190-231	Fast open Slow close from slow to fast
		232-239	Open(LED on)
		240-247	Random strobe from slow to fast
		248-255	Open(LED on)
8	Macro function	0-29	No function
		30-39	Dimmer Curve: Linear
		40-49	Dimmer Curve: Square Law
		50-59	Dimmer Curve: Inv SQ Law
		60-69	Dimmer Curve: S Curve
		70-79	Power Mode: Standard
		80-89	No function
		90-99	Power Mode: Quiet

		100-109	Led Frequency Setting Enable
		110-119	Led Frequency Setting Disable
		120-139	No function
		140-149	Tilt reset
		150-159	Effect Reset
		160-169	CCT Calibration: On
		170-179	CCT Calibration: Off
		180-199	No function
		200-209	All Reset
		210-219	Dimmer Speed: Fast
		220-229	Dimmer Speed: Smooth
		230-239	Line Power Mode: Off
		240-249	Line Power Mode: On
		250-255	No function
9	Main Red 1	0-255	Main LED 1 Red 0-100% dimmer
10	Main Green 1	0-255	Main LED 1 Green 0-100% dimmer
11	Main Blue 1	0-255	Main LED 1 Blue 0-100% dimmer
12	Main White 1	0-255	Main LED 1 White 0-100% dimmer
13	Main Red 2	0-255	Main LED 2 Red 0-100% dimmer
14	Main Green 2	0-255	Main LED 2 Green 0-100% dimmer

15	Main Blue 2	0-255	Main LED 2 Blue 0-100% dimmer
16	Main White 2	0-255	Main LED 2 White 0-100% dimmer
17	Main Red 3	0-255	Main LED 3 Red 0-100% dimmer
18	Main Green 3	0-255	Main LED 3 Green 0-100% dimmer
19	Main Blue 3	0-255	Main LED 3 Blue 0-100% dimmer
20	Main White 3	0-255	Main LED 3 White 0-100% dimmer
...
...
...
...
45	Main Red 10	0-255	Main LED 10 Red 0-100% dimmer
46	Main Green 10	0-255	Main LED 10 Green 0-100% dimmer
47	Main Blue 10	0-255	Main LED 10 Blue 0-100% dimmer
48	Main White 10	0-255	Main LED 10 White 0-100% dimmer
49	Line CW 1	0-255	Line LED 1 Cool White 0-100% dimmer
50	Line WW 1	0-255	Line LED 1 Warm White 0-100% dimmer
51	Line CW 2	0-255	Line LED 2 Cool White 0-100% dimmer

52	Line WW 2	0-255	Line LED 2 Warm White 0-100% dimmer
53	Line CW 3	0-255	Line LED 3 Cool White 0-100% dimmer
54	Line WW 3	0-255	Line LED 3 Warm White 0-100% dimmer
55	Line CW 4	0-255	Line LED 4 Cool White 0-100% dimmer
56	Line WW 4	0-255	Line LED 4 Warm White 0-100% dimmer
57	Line CW 5	0-255	Line LED 5 Cool White 0-100% dimmer
58	Line WW 5	0-255	Line LED 5 Warm White 0-100% dimmer
59	Line CW 6	0-255	Line LED 6 Cool White 0-100% dimmer
60	Line WW 6	0-255	Line LED 6 Warm White 0-100% dimmer
61	Line CW 7	0-255	Line LED 7 Cool White 0-100% dimmer
62	Line WW 7	0-255	Line LED 7 Warm White 0-100% dimmer
63	Line CW 8	0-255	Line LED 8 Cool White 0-100% dimmer

64	Line WW 8	0-255	Line LED 8 Warm White 0-100% dimmer
65	Line CW 9	0-255	Line LED 9 Cool White 0-100% dimmer
66	Line WW 9	0-255	Line LED 9 Warm White 0-100% dimmer
67	Line CW 10	0-255	Line LED 10 Cool White 0-100% dimmer
68	Line WW 10	0-255	Line LED 10 Warm White 0-100% dimmer
69	Line CW 11	0-255	Line LED 11 Cool White 0-100% dimmer
70	Line WW 11	0-255	Line LED 11 Warm White 0-100% dimmer
71	Line CW 12	0-255	Line LED 12 Cool White 0-100% dimmer
72	Line WW 12	0-255	Line LED 12 Warm White 0-100% dimmer
73	Line CW 13	0-255	Line LED 13 Cool White 0-100% dimmer
74	Line WW 13	0-255	Line LED 13 Warm White 0-100% dimmer
75	Line CW 14	0-255	Line LED 14 Cool White 0-100% dimmer

76	Line WW 14	O-255	Line LED 14 Warm White O-100% dimmer
77	Line CW 15	O-255	Line LED 15 Cool White O-100% dimmer
78	Line WW 15	O-255	Line LED 15 Warm White O-100% dimmer
79	Line CW 16	O-255	Line LED 16 Cool White O-100% dimmer
80	Line WW 16	O-255	Line LED 16 Warm White O-100% dimmer
81	Line CW 17	O-255	Line LED 17 Cool White O-100% dimmer
82	Line WW 17	O-255	Line LED 17 Warm White O-100% dimmer
83	Line CW 18	O-255	Line LED 18 Cool White O-100% dimmer
84	Line WW 18	O-255	Line LED 18 Warm White O-100% dimmer
85	Line CW 19	O-255	Line LED 19 Cool White O-100% dimmer
86	Line WW 19	O-255	Line LED 19 Warm White O-100% dimmer
87	Line CW 20	O-255	Line LED 20 Cool White O-100% dimmer

88	Line WW 20	0-255	Line LED 20 Warm White 0-100% dimmer
89	Line CW 21	0-255	Line LED 21 Cool White 0-100% dimmer
90	Line WW 21	0-255	Line LED 21 Warm White 0-100% dimmer
91	Line CW 22	0-255	Line LED 22 Cool White 0-100% dimmer
92	Line WW 22	0-255	Line LED 22 Warm White 0-100% dimmer
93	Line CW 23	0-255	Line LED 23 Cool White 0-100% dimmer
94	Line WW 23	0-255	Line LED 23 Warm White 0-100% dimmer
95	Line CW 24	0-255	Line LED 24 Cool White 0-100% dimmer
96	Line WW 24	0-255	Line LED 24 Warm White 0-100% dimmer
97	Line Red 1	0-255	Line LED 1 Red 0-100% dimmer
98	Line Green 1	0-255	Line LED 1 Green 0-100% dimmer
99	Line Blue 1	0-255	Line LED 1 Blue 0-100% dimmer
...
...
...

163	Line Red 23	0-255	Line LED 23 Red 0-100% dimmer
164	Line Green 23	0-255	Line LED 23 Green 0-100% dimmer
165	Line Blue 23	0-255	Line LED 23 Blue 0-100% dimmer
166	Line Red 24	0-255	Line LED 24 Red 0-100% dimmer
167	Line Green 24	0-255	Line LED 24 Green 0-100% dimmer
168	Line Blue 24	0-255	Line LED 24 Blue 0-100% dimmer

8. DISPLAY INSTRUCTION

Main menu	Submenu	Level 3	Description
DMX Address	001-512		DMX address setting
Fixture	DMX Mode	17CH	17 Channel mode
		27CH	27 Channel mode
		99CH	99 Channel mode
		108CH	108 Channel mode
		168CH	168 Channel mode
	Run Mode	DMX	DMX mode
		Auto	Auto-Run mode
	Tilt Inverse	Close/ Open	Tilt reverse
	Dimmer Fast	Open/ Close	Dimmer fast mode ON/Off
Manual	Tilt	0-255	Manual control of each channel
	Tilt Fine	0-255	

	.	0-255	
	Reset	0-255	
Information	Time	Current Time	How long this time working
		Total Time	Total working time
		Power Count	Total power on time
	Sensor	Tilt	Tilt motor sensor status
		Zoom1	Zoom 1 motor sensor status
		Zoom2	Zoom 2 motor sensor status
Information		Temp	Temperature sensor status
	Temperature		
	Software Version	Panel	Display software version
		Dimmer	LED driver board software version
Factory	Password	0-255	Password
	Tilt	0-255	Tilt default position
	Zoom1	0-255	Zoom 1 motor default position
	Zoom2	0-255	Zoom 2 motor default position
	Red	0-255	Red color default data
	Green	0-255	Green color default data
	Blue	0-255	Blue color default data
	White	0-255	White color default data

Fixture Reset	Reset	Run/ OFF	Reset all motor
	Factory	Run/ OFF	Reset to factory mode
Display	Language	EN/CH	Language setting
	Display Flip	Normal/ Reverse	Display reverse 180 degree
	Display Mode	Show / 60s	Screen saver time

Network (*Doesn't work without ArtNet board)	Protocol	ArtNet
		sASN
	KlingNet	Disable
		Enable
	Universe	0-255
	Ip Address	xxx.xxx.xxx.xxx
Subnet Mask	xxx.xxx.xxx.xxx	

9.KEY FEATURES

- Voltage: AC90-240V 50/60Hz
- Max Power: 850 W
- Source: 10pcs 60W RGBW 4in1 LED
- Cool white 96x1w, warm white 96x1w □ RGB 3in1 96x1w LED
- Beam degree: 4°-60° 39000LUX@5M@ minimum angle
- Color temperature □2500k-9000k
- Tilt: 270 degree+ fine
- LED Lifetime: approx. 50,000 hours
- LED: pixel control, Strobe: up to 25 times per second
- Dimmer: 0-100% linear dimmer

- DMX signal interface: 3 pin
- Screen: 1.77 -inch color LCD display software upgrade: update software through DMX connection
- Channel: 17/27/99/108/168 five channel mode Control mode: DMX-512, Auto-run, Sound activated
- Cooling system: fan forced cooling system
- Working environment: Indoor
- Fixture size: 1000*115*290 mm
- Net weight: 19 KG
- With Wash, beam, special effects , macro effect.
- 4 kinds 0-100% linear dimming mode.

10. MAINTENANCE AND CLEANING

The following points have to be considered during the inspection:

1. All screws for installing the devices or parts of the device have to be tightly connected and must not be corroded.
2. There must be no deformations on the housing, color lenses, fixations and installation spots (ceiling, suspension, trussing).
3. Mechanically moved parts must not show any traces of wearing and must not rotate with unbalances.
4. The electric power supply cables must not show any damage, material fatigue or sediments.

Further instructions depending on the

installation spot and usage have to be adhered by a skilled installer and any safety problems have to be removed.



CAUTION!

Disconnect from mains before starting maintenance operation.

In order to make the lights in good condition and extend the life time, we suggest a regular cleaning to the lights.

1. Clean the inside and outside lens each week to avoid the weakness of the lights due to accumulation of dust.
2. Clean the fan each week.
3. A detailed electric check by approved electrical engineer every three months, make sure that the circuit contacts are in good condition, prevent the poor contact of circuit from overheating.

We recommend a frequent cleaning of the device. Please use a moist, lint- free cloth. Never use alcohol or solvents. There are no serviceable parts inside the device. Please refer to the instructions under “Installation instructions”. Should you need any spare parts, please order genuine parts from your local dealer